

**ROYAL MANTICORAN
ASTRO CONTROL SERVICE
UNIFORM REGULATIONS**

RMACS 7-01

RMACS 7-01



***Bureau of
Communications***

Landing, Manticore



**THE ROYAL
MANTICORAN NAVY**

**The Official Honor Harrington
Fan Association**

THE ROYAL MANTICORAN NAVY

**Office of the Fourth Space Lord
Publications Department
RMACS 7-01
Royal Manticoran Astro Control Service
Uniform Regulations**



**Bureau of Communications
Admiralty House
Landing, Manticore**

RMACS 7-01

RMACS 7-01 Royal Manticoran Astro Control Service Uniform Regulations

The Royal Manticoran Navy
Bureau of Communications
Publications Department
Admiralty House
Landing, Manticore

Lieutenant (SG) Karyn Hill, KDE, QBM, MP, RMN
Director of Publications

Major General James Olsen, KDE, OG, QBM, CBM, RMMC
Fourth Space Lord

Written by: Commodore Zachary White, KDE, KCR, MC, OG, QBM, RMN
Formatted by: Lieutenant(SG) Karyn Hill, KDE, QBM, MP, RMN, and Commodore Zachary White
Edited by: Commodore Zachary White
SMCPO William Lochen, KSK, OC, KR, KE, SC, OG, NS, QBM, RMN, Baron LaMancha
Commander Drew Drentlaw, GCE, MC, DSO, GS, QBM, CBM, RMN, Baron Glencairn
Captain Garret Bitker, KCE, MC, KR, SC, OGL, OG, CGM, Baron Silver Lake
Captain Thomas Bainbridge, OC, NS
Lieutenant (SG) Karyn Hill

Illustrations by: Senior Chief Warrant Officer Ryan Gale, CGM, RMN
Captain(JG) William Knight, KDE, MC, OG, CBM, RMN, Earl White Lion
Admiral of the Green Robert Bulkeley Jr, KSK, SC, DSO, CGM, RMN, Duke Mountain View
Commodore Zachary White

Special Thanks to the Royal Manticoran Astro Control Service for their assistance.

Commanding Officer: Captain Garret Bitker, RMACS
RMACS Liaison: Captain Thomas Bainbridge, RMACS

Special Notice: The programs, policies, requirements and regulations published in this manual are subject to continual review in order to serve the needs of The Royal Manticoran Navy: The Official Honor Harrington Fan Association members, and are subject to change at any time, as circumstances may require.

DISTRIBUTION RESTRICTION: Approved for public release; distribution is unlimited.
The Royal Manticoran Navy: The Official Honor Harrington Fan Association, Inc. Some rights reserved. Honor Harrington and all related materials © David Weber.

Table of Contents

Introduction from the Author	2
Introduction from the Uniform Board	3
Convention Minimum	4
Orders of Dress for the RMACS	10
Coveralls:	10
Uniform Tunic:	10
How to Use this Manual	11
Dress Uniform	11
How to Use this Manual	12
Uniforms of the Royal Manticoran Astro Control Service	13
Descriptions of Each Order of Dress	14
Cold Weather Fatigue Uniform	14
Working Uniform	18
Service Undress Uniform	22
Service Dress Uniform	24
Dress Uniform	28
Mess Dress Uniform	31
Mess Dress Uniform (continued)	32
Measurement and Insignia Guide	39
Special Notes	63

Introduction from the Author

Welcome

This manual has been designed for the member's ease of use. Please note that the manual has been broken up into several sections: Uniforms of the Royal Manticoran Astro Control Service, a Measurement and Insignia Guide, and the Special Notes. Each of these sections can be easily found using the table of contents found on page one.

This manual has also been designed so the user can quickly reference the description for an order of dress they desire, find their rank, and print the appropriate section. The same technique may be applied to the illustrations that follow, which includes a required items entry listing the items required to construct that particular uniform. Please note that all drawings are not to scale and should be considered for visual reference only. For accurate information on how to place buttons, where to place insignia, etc., please refer to the Measurement and Insignia Guide section of the manual as well as each illustration's accompanying textual description.

Note from the Author:

This manual is intended to act as a guide for those who wish to construct a canon uniform for the Royal Manticoran Astro Control Service component within The Royal Manticoran Navy: The Official Honor Harrington Fan Association. While TRMN is a military fan association, the Uniform Board does recognize that not all members have the resources to construct a fully to spec uniform. The official policy of TRMN is, and will remain, one of "do your best," and we hope that members will utilize the resources available in this manual to accomplish that end.

Many options exist regarding uniforms, however the materials contained within should be considered best practices and are endorsed by the Uniform Board, Admiralty House and BuNine as keeping with the spirit and the brand of the Honorverse. For some items, however, there are no suitable substitutes, and in those rare cases, the exception has been noted. The information contained within these pages has been reviewed and passed by BuNine, Admiralty House, and the Uniform Board, and should be considered the most up-to-date information available

I hope that you all enjoy this new component and, as always, if there are any questions, comments, or additional corrections that are noticed please get in touch and I will work with the Uniform Board and the leadership of the Astro Control Service to make the necessary updates.

We love what we do, and we have made this manual as a labor of love to bring our vision of TRMN to you. We want you to look your best and have fun doing it! Thank you and enjoy!



In cooperation with the Royal Manticoran Astro Control Service,
Commodore Zachary White

Introduction from the Uniform Board

Note from the Uniform Board

“Congratulations Spacer, you have been promoted!”

And with a handshake and a salute from your commanding officer you find yourself with a piece of embroidered cloth called a rank stripe, or perhaps a set of pins for your collar.

Now, you might say to yourself, “Wow, I want a uniform to start adding my rank to, only, I don’t know where to put my rank stripes, my rating badge, rank pins, or my name badge.”

Well, that is why this uniform manual was created. To help you succeed in creating your uniform so that it matches the Royal Manticoran Astro Control Service (RMACS) uniform regulations.

When many of us started to “uniform up,” we drew information from references within the books that came to be known as “canon,” chats with David Weber, or even from the cover art of the books. We needed guidance.

Happily, over the years, a group of dedicated people have gathered information, drawings and measurements. They were presented to the TRMN leadership and then were sent to David Weber and his business group, BuNine, for approval. The information herein has been officially sanctioned by David Weber and BuNine for use by the official Honor Harrington Fan Association and are considered regulation.

This manual is for everyone’s use, member or non-member. All are welcome to use and are certainly welcome to join this amazing collection of Honor Harrington fans, The Official Honor Harrington Fan Association, at TRMN.org.

So dig in, and utilize this resource. Have fun making your uniform and attaching all those wonderful award ribbons, stripes, badges, and pins!



From the Director of the Uniform Board,
Senior Master Chief Petty Officer William Lochen

Convention Minimum

Official Dress Code for The Royal Manticoran Navy: The Official Honor Harrington Fan Association

Note from the Uniform Board and BuPlan – Please Read before Continuing:

While this manual details the various canon uniforms available to members of the Royal Manticoran Astro Control Service, they are by no means required in order for a member to represent the organization at a convention, chapter sponsored event, or to man one of the organization's fan tables.

That being said, the organization does have a minimum dress code that must be adhered to while representing the organization in any capacity. That adherence is necessary both to uphold the image of TRMN, The Official Honor Harrington Fan Association, as one of the premier science fiction fan organizations, but also to uphold the integrity of David Weber's intellectual property, a property that he has graciously allowed this organization to represent to the public in an official capacity.

We understand that sometimes putting together one of the canon uniforms that follow in this manual may be out of some member's immediate grasp, however we also believe that the principle of "do your best" applies not to throwing together any random ensemble and calling it a day, but rather in doing ones best to acquire the necessary items to construct a uniform that one can be proud to represent the organization in, and in the meantime, proudly representing the organization sharply in one of the many approved convention minimum options.

Wearing proper convention minimum is not just important because it makes you and your chapter look sharp, but it is also one of the organization's main recruiting tools. Like any large organization or corporation, TRMN has branding; an image that makes us instantly recognizable. A gray beret paired with one of our approved logo shirts is akin to the Apple logo, or the Golden Arches or Mickey Mouse ears. TRMN has spent over a decade perfecting its brand image, and the mandate that our members wear proper convention minimum while representing the organization is part of that branding.

Some examples of convention minimum "DO's" and "DONT'S" have been included on the following pages.

The simplest, and probably the cheapest, way to sharply represent the organization is by purchasing a gray polo shirt, or gray tee-shirt, at your local WalMart or department store, and then adding the RMACS organizational logo patch, when available from the Bureau of Supply, to the right or left breast. An example of this popular option is shown on page 5.

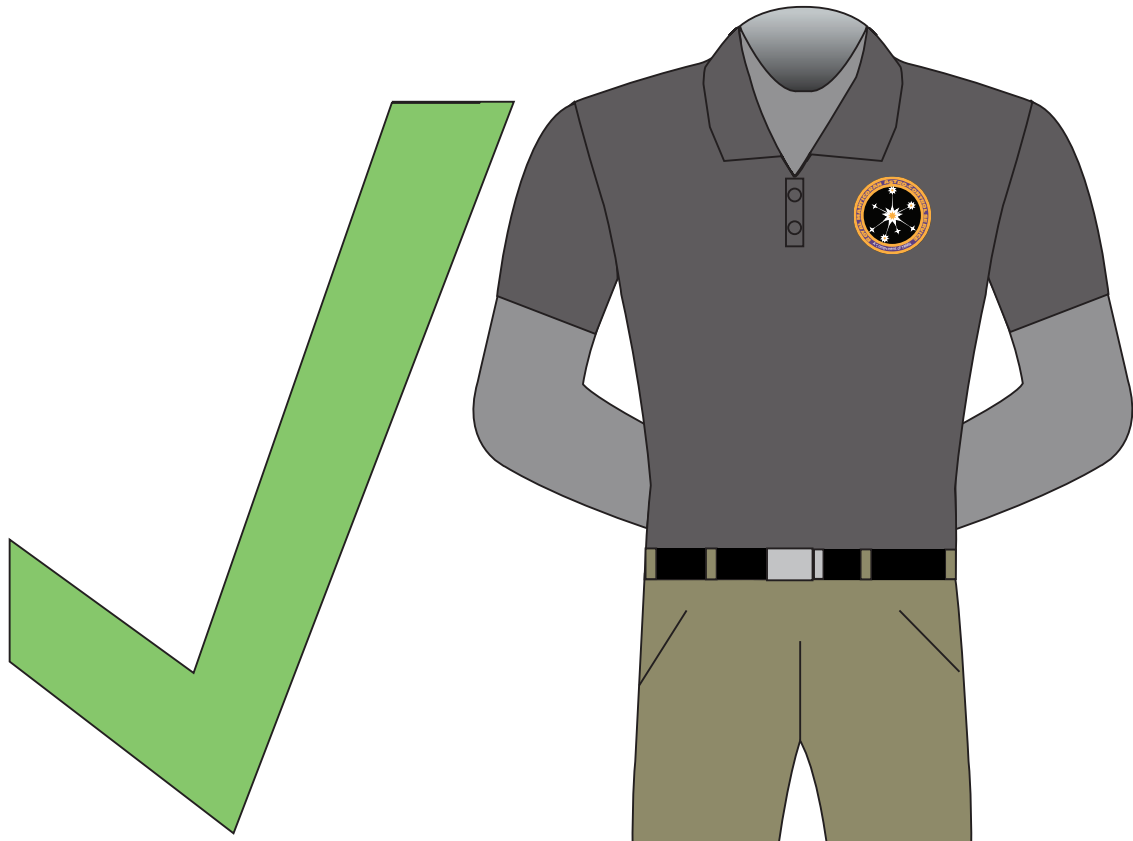
Please contact your chain of command, or the RMACS liaison to the Uniform Board with any questions.

For more information, and a complete listing of the available options, please reference Admiralty Order 1604-03 and Admiralty Order 1604-04.

Thank you for your cooperation and understanding! If we all work together we can contribute to another successful decade as one of the best science fiction fan organizations out there - The Royal Manticoran Navy, The Official Honor Harrington Fan Association.

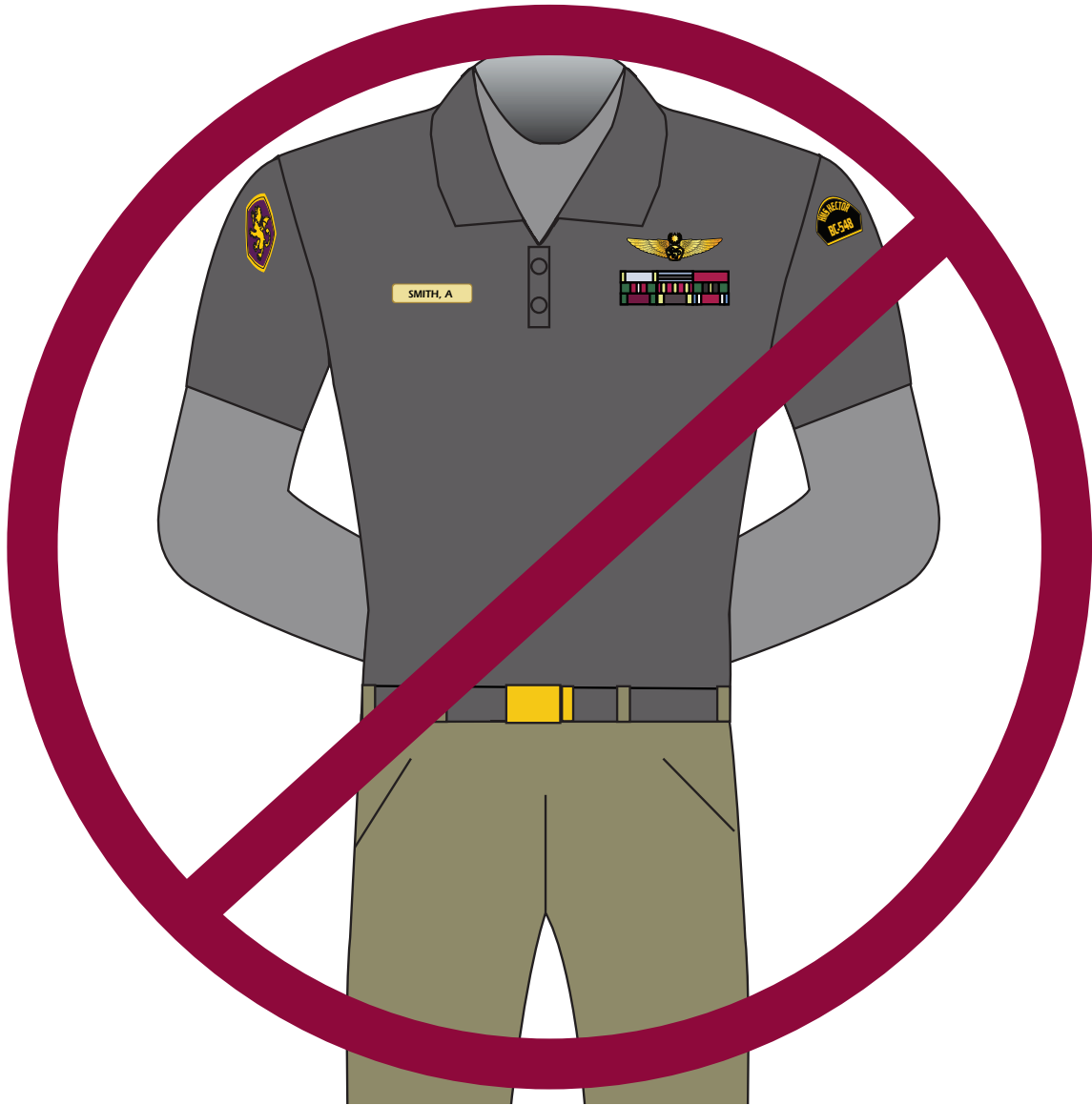
Convention Minimum (continued)

Official Dress Code for The Royal Manticoran Navy: The Official Honor Harrington Fan Association



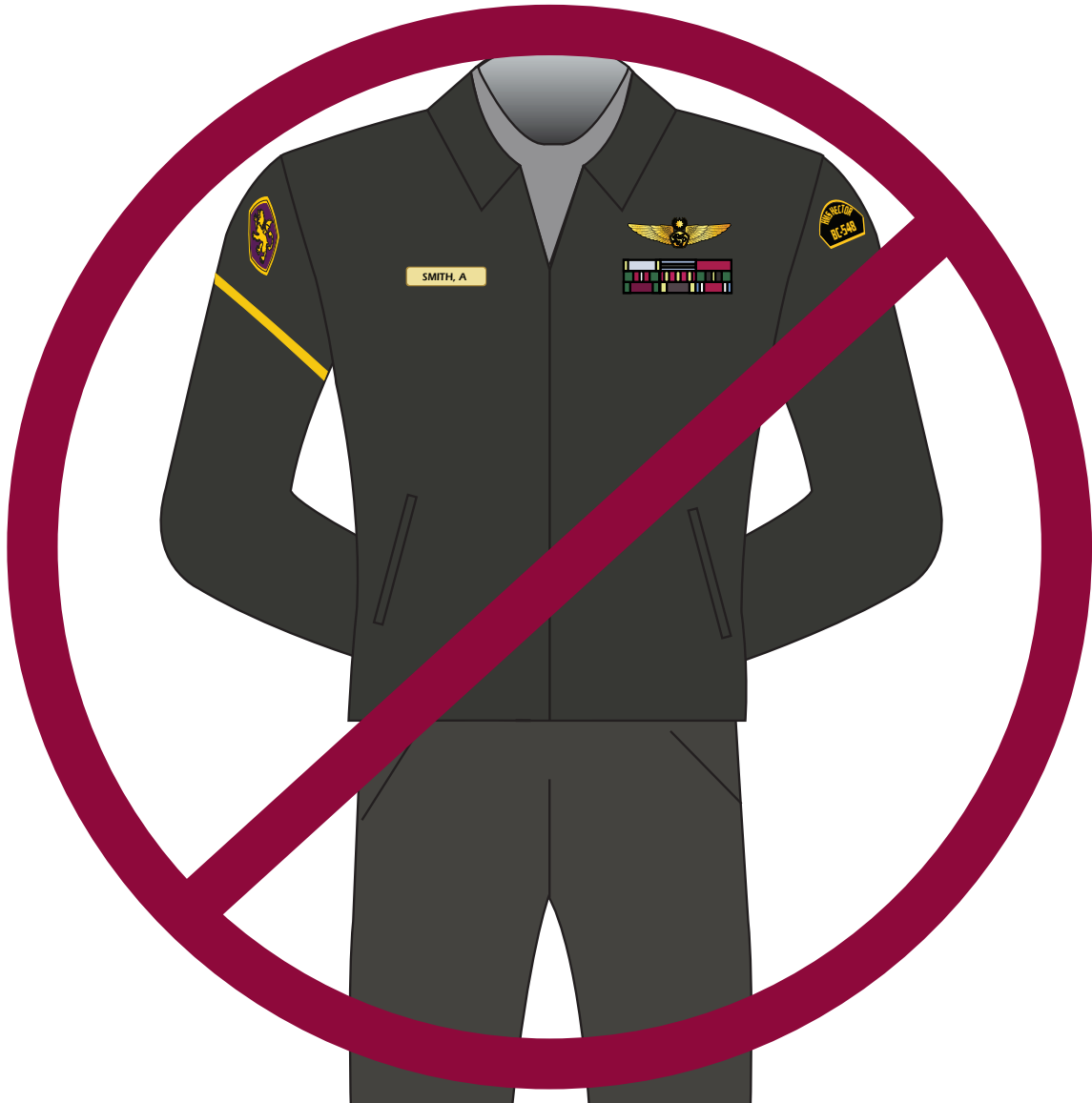
Convention Minimum (continued)

Official Dress Code for The Royal Manticoran Navy: The Official Honor Harrington Fan Association



Convention Minimum (continued)

Official Dress Code for The Royal Manticoran Navy: The Official Honor Harrington Fan Association



Convention Minimum (continued)

Official Dress Code for The Royal Manticoran Navy: The Official Honor Harrington Fan Association





Orders of Dress for the RMACS

There are seven orders of dress for personnel in the RMACS.

1. Cold Weather Fatigue Uniform
2. Working Uniform
3. Service Undress Uniform (officers only)
4. Service Dress Uniform
5. Dress Uniform
6. Mess Dress Uniform, Class B
7. Mess Dress Uniform, Class A

Coveralls:

Coveralls are worn by all enlisted personnel for both the working and the service undress uniform. Coveralls are worn by all officers for the working uniform only.

Uniform Tunic:

A tunic, paired with trousers, is worn by officers for all orders of dress following the working uniform. Enlisted personnel are authorized to wear two variations of the uniform tunic for specific uniforms. Senior non-commissioned officers in the grades of C-7 and above are authorized to wear the officer's uniform tunic for their dress uniform. All other enlisted personnel wear a short, Eisenhower-style tunic for their service dress uniform.

The officer uniform tunic is pure black and the hem of the tunic should be even with the wearers knuckles when the wearer is standing at military attention with their arms held at their sides. The tunic includes a plastron (bib) which is trimmed in quarter inch (1/4") yellow gold piping, excluding the bottom hem. The tunic features a mandarin-style collar that should be close-fitting but not restrictively so, and epaulet loops for shoulder boards, one on each shoulder. The collar is trimmed as per the plastron. It is suggested that two plastrons be purchased or constructed, one that is fitted with buttons, and one that does not have buttons. This strategy allows the wearer to effect each RMACS uniform variant, save the flag officer mess dress, with a single tunic. The flag officer mess dress tunic is a stylized frock coat type design and will be discussed further in this manual. As the plastrons do not come stock with buttons attached, it is left to the member to decide which uniform level to make if only one plastron is purchased or constructed.

The enlisted short, Eisenhower-style tunic is pure black and should fall to the wearers waist when worn. The tunic does not feature a plastron. The tunic zips up the front and features a zipper flap, closing to the right, that hides the zipper from view. The tunic features a mandarin-style collar similar to that found on the officer tunic. The collar and the zipper flap are trimmed in 3/8" medium gray grosgrain ribbon. There are no epaulets or epaulet loops on the enlisted short jacket.

Quick Reference Table of Five Orders of Dress for the ACS:

	Working Uniform	Undress Uniform	Service Dress Uniform	Dress Uniform	Mess Dress Uniform
OFFICERS	Coveralls	Tunic	Tunic	Tunic	Special
ENLISTED	Coveralls	Coveralls	Short Tunic	Officer's Tunic (C-7 through C-9 ONLY)	N/A

How to Use this Manual

Uniform Type

General Description

Dress Uniform

The dress uniform is the most formal uniform many officers will wear during their time in the service, and the most formal uniform authorized for senior non-commissioned officers in the grades of C-7 through C-9. It is worn for formal duties, such as those involving interaction with the public. It is a more formal version of the service undress uniform. All personnel wear a uniform tunic for this uniform variant. The wearing of a sidearm or holster is not authorized with the dress uniform.

All ranks wear the RMACS patch affixed to the upper right sleeve.

All ranks wear their assignment patch affixed to the upper left sleeve.

All ranks wear a black, close-fitting mock turtleneck.

All ranks wear a gray RMACS beret with the RMACS flash positioned over the left eye.

Patrol Craft and Station Commanding Officers, C-14 to C-17, as befitting their position, are authorized to wear dark purple ribbon behind their rank stripes.

Detachment Commanding Officers, C-18 to C-21, are authorized to wear a white ribbon behind their rank stripes.

All ranks may display awards that include a chest star, chest badge, or sash, if earned. Please consult TRMN-05, "Proper Wear and Display of the Knighthly Orders and Chivalrous Awards," for further guidance.

All ranks wear black trousers, un-bloused, with shined black oxford uniform shoes or boots. A black uniform belt with a gold military friction buckle is worn. Personnel should not blouse the trouser legs with the dress uniform.

All ranks wear a gold-colored metal name badge with black lettering, affixed with clutch pins or magnets, on the right breast of the uniform tunic. All name badges should feature the wearers last name, first initial. For an example of the name badge, as well as a guide to proper placement of insignia, buttons, and awards, please consult the Measurement and Insignia Guide section of this manual.

All ranks display medals on the left breast along with Astro Control flight wings, if earned. If medals are unavailable, ribbons may be substituted. Any unit awards earned are displayed below the name badge.

Officers wear a uniform identical to that worn for the service undress with the following addition. A double row of 18 gold TRMN buttons are worn on the plastron, 9 buttons on each side.

Senior non-commissioned officers in the grades of C-7 through C-9 wear the same uniform tunic and trousers as officers with the exception that they will wear a 1.5" medium gray stripe down the outer seam of each leg, beginning at the waist and ending at the cuff.

Rank Specific Section

How to Use this Manual

Uniform Type

Rank Specific Section

Dress Uniform (continued)

Enlisted (Permanent Personnel, C-7 through C-9):

The RMACS patch is worn on the upper right sleeve.

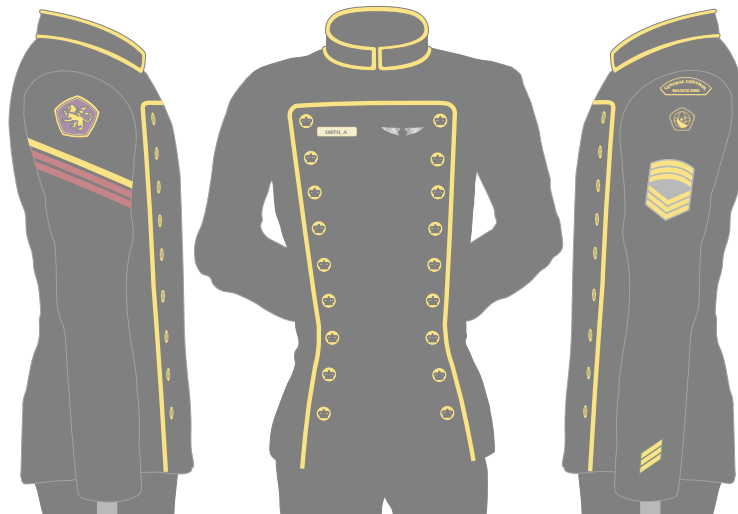
The assignment patch and rating patch, if earned, are worn on the upper left sleeve

Enlisted personnel will display the appropriate number of gold chevrons/rockers for their current rank as well as their rating patch, if earned, on the left sleeve only. Gold service stripes, if earned, will be displayed on the lower left sleeve. For proper placement please consult the Measurement and Insignia Guide section of this manual.

Any award stripes earned are worn on the upper right sleeve, below the RMACS patch. For a guide to proper placement please consult the Measurement and insignia Guide section of this manual.

Required Items:

- | | |
|---|---|
| <ol style="list-style-type: none"> 1. Black uniform tunic with buttons 2. Black uniform trousers 3. Medium gray 1.5" grosgrain ribbon 4. Black uniform belt with gold military buckle 5. Black low-topped boots or shoes 6. Gold metal name badge 7. RMACS patch | <ol style="list-style-type: none"> 8. Award stripe(s) as earned 9. Assignment patch 10. Rating patch as earned 11. Gold rank chevrons/rockers 12. Gold service stripe(s) as earned 13. Black compression mock turtleneck 14. Gray beret with RMACS flash |
|---|---|



Items Needed to Make this Uniform

Uniform Illustration

Uniforms of the Royal Manticoran Astro Control Service

The following section contains written descriptions and illustrations that cover all available RMACS uniforms. The written descriptions are broken down for officers and enlisted personnel. The enlisted descriptions are further broken down to denote the differences between a Trainee (C-1), and Astro Control Service permanent personnel in the grades of C-4 through C-9.

Each written description is designed to compliment the illustrations immediately following. Please reference the illustrations and the Measurement and Insignia Guide for proper placement of uniform items.

Important Note – Please Read Before Continuing:

The artwork throughout this manual is for informational purpose only and included to provide a visual reference to supplement the text and the provided measurements. While every effort has been made to ensure the artwork is as accurate as possible, please default to the textual descriptions and the included measurements.



Descriptions of Each Order of Dress

Cold Weather Fatigue Uniform

The cold weather fatigue uniform is worn for light duty in colder climates or outdoors while performing organizational duties that would otherwise require a canon uniform or convention minimum. This uniform may be worn by all ranks and may be considered on par with the working/service undress uniform and convention minimum.

All ranks will wear charcoal gray uniform trousers or charcoal gray BDU style pants. It is highly suggested, for the sake of a sharp, uniformed image, that members of each vessel/detachment/station decide among themselves which trouser style to wear with the cold weather fatigue uniform and outfit themselves accordingly. All personnel wear a black uniform belt with a gold military friction buckle if wearing trousers. Those electing to wear BDU style pants may wear a plain black military "rigger" style belt.

OPTIONAL: A plain black, tactical-style belt may be worn with a standard military sidearm (RMN/RMMC pulser) and its accompanying drop leg holster with both the uniform trousers and the BDU style pants

All ranks will wear a black, close-fitting mock turtleneck, and a black, "GI" or "Commando" style, military sweater. As with the uniform trousers, members of each vessel should arrive at a consensus as to which type to purchase. Regardless of choice, the sweater must have epaulets and fabric reinforcement patches on the shoulders and elbows.

All ranks will wear an embroidered, flight suit-style name patch on the left breast. The patch is attached with Velcro and features the RMACS logo, the wearers name, rank, and assignment in gold lettering. The wearer may need to attach their own Velcro to accommodate this accessory if the sweater does not come with it attached. Several examples of this patch are provided in the Measurement and Insignia Guide section of the manual.

All ranks wear a gray RMACS beret with the RMACS flash positioned over the left eye.

Patrol Craft and Station Commanding Officers, C-14 to C-17, are authorized to wear a dark purple ribbon (7/8") down the outer seam of each leg, beginning at the waist and ending at the cuff.

Detachment Commanding Officers, C-18 to C-21, are authorized to wear a white ribbon (7/8") down the outer seam of each leg, beginning at the waist and ending at the cuff.

The ACS patch, assignment patch, Flight Wings, ribbon rack, award stripes, or any other articles not specifically indicated are not authorized for wear with the cold weather fatigue uniform.

Cold Weather Fatigue Uniform (continued)

Enlisted (Trainee):

Enlisted Trainee's in the grade of C-1 display no insignia, save for the flight suit-style name badge.

Required Items:

1. Charcoal gray uniform trousers or charcoal gray BDU pants (shown)
2. Black uniform belt with gold military buckle or black "rigger" style belt
3. Black low topped boots
4. Black compression mock turtleneck
5. Black "GI" or "Commando" style military sweater
6. Gray beret with RMACS flash
7. Black flight-suit-style name badge



Cold Weather Fatigue Uniform (continued)

Enlisted (Permanent Personnel):

Enlisted personnel in the grades of C-4 through C-9 display no insignia, save for the flight suit-style name badge.

Additionally, enlisted personnel in the grades of C-4 through C-9 display a 1.5" medium gray stripe down the outer seam of each leg, beginning at the waist and ending at the cuff.

Required Items:

1. Charcoal gray uniform trousers or charcoal gray BDU pants (shown)
2. Medium gray 1.5" grosgrain ribbon
3. Black uniform belt with gold military buckle or black "rigger" style belt
4. Black low topped boots
5. Black compression mock turtleneck
6. Black "GI" or "Commando" style military sweater
7. Gray beret with RMACS flash
8. Black flight-suit-style name badge



Cold Weather Fatigue Uniform (continued)

Officers:

Officers wear their rank insignia centered on each epaulet.

Required Items:

1. Charcoal gray uniform trousers or charcoal gray BDU pants (shown)
2. Dark purple/white 7/8" grosgrain ribbon (Detachment CO shown)
3. Black uniform belt with gold military buckle or black "rigger" style belt
4. Black low topped boots
5. Black compression mock turtleneck
6. Black "GI" or "Commando" style military sweater
7. Gray beret with RMACS flash
8. Black flight-suit-style name badge
9. Gold/silver rank insignia



Working Uniform

The working uniform is worn for duties that involve environments and tasks in which the wearer expects to get their clothing dirty. This uniform is also the first that many members will achieve and should be considered on par with the cold weather fatigue uniform and convention minimum.

All ranks wear charcoal gray, one-piece coveralls with a mandarin-style collar. No belt is worn. The coveralls are worn bloused into black, low-topped boots.

OPTIONAL: A plain black, tactical-style belt may be worn with a standard military sidearm (RMN/RMMC pulser) and its accompanying drop leg holster with the working uniform. The belt should be worn over the coveralls, at the natural waist.

All ranks wear a black, close-fitting mock turtleneck.

All ranks wear a gray RMACS beret with the RMACS flash positioned over the left eye.

Patrol Craft and Station Commanding Officers, C-14 to C-17, are authorized to wear a dark purple ribbon (7/8") down the outer seam of each leg, beginning at the waist and ending at the cuff.

Detachment Commanding Officers, C-18 to C-21, are authorized to wear a white ribbon (7/8") down the outer seam of each leg, beginning at the waist and ending at the cuff.

Unless otherwise specified; flight wings, ribbon rack, award stripes, or any other article not specifically indicated, are not authorized for wear with the working uniform.

Working Uniform (continued)

Enlisted (Trainee):

Enlisted trainee's in the grade of C-1 wear a charcoal gray fabric name tape with black embroidered lettering affixed to their left breast. All name tapes should feature the wearers last name, first initial. An additional charcoal gray tape with black embroidered lettering is affixed to the right breast, opposite its twin. The tape should read RMACS. For an example of the name tapes, as well as a guide to proper placement, please consult the Measurement and Insignia Guide section of this manual.

Enlisted trainees will display a single gold rank stripe on the left sleeve only. Gold service stripes, if earned, will be displayed on the lower left sleeve. For proper placement please consult the Measurement and Insignia Guide section of this manual.

The RMACS patch is worn on the upper right sleeve and the assignment patch is worn on the upper left sleeve.

Any award stripes earned are worn on the upper right sleeve, below the RMACS patch. For a guide to proper placement please consult the Measurement and insignia Guide section of this manual.

Required Items:

- | | |
|---|--------------------------------------|
| 1. Charcoal gray coveralls | 5. Gold rank stripes |
| 2. Black low-topped boots | 6. Gold service stripe(s) as earned |
| 3. Charcoal gray embroidered name tape | 7. Black compression mock turtleneck |
| 4. Charcoal gray embroidered RMACS tape | 8. Gray beret with RMACS flash |



Working Uniform (continued)

Enlisted (Permanent Personnel):

Enlisted personnel in the grades of C-4 through C-9 wear a charcoal gray fabric name tape with black embroidered lettering. All name tapes should feature the wearers last name, first initial. An additional charcoal gray tape with black embroidered lettering is affixed to the right breast, opposite its twin. The tape should read RMACS. For an example of the name tapes, as well as a guide to proper placement, please consult the Measurement and Insignia Guide section of this manual.

Enlisted personnel will display the appropriate number of gold chevrons/rockers for their current rank as well as their rating patch, if earned, on the left sleeve only. Gold service stripes, if earned, will be displayed on the lower left sleeve. For proper placement please consult the Measurement and Insignia Guide section of this manual.

A 1.5" medium gray stripe is worn down the outer seam of each leg, beginning at the waist and ending at the cuff.

The RMACS patch is worn on the upper right sleeve and the assignment patch is worn on the upper left sleeve.

Any award stripes earned are worn on the upper right sleeve, below the RMACS patch. For a guide to proper placement please consult the Measurement and insignia Guide section of this manual.

Required Items:

- | | |
|---|--------------------------------------|
| 1. Charcoal gray coveralls | 6. Rating patch as earned |
| 2. Medium gray 1.5" grosgrain ribbon | 7. Gold rank chevrons/rockers |
| 3. Black low-topped boots | 8. Gold service stripe(s) as earned |
| 4. Charcoal gray embroidered name tape | 9. Black compression mock turtleneck |
| 5. Charcoal gray embroidered RMACS tape | 10. Gray beret with RMACS flash |



Working Uniform (continued)

Officers:

Officers wear a charcoal gray fabric name tape with gold embroidered lettering affixed to their left breast. All name tapes should feature the wearers last name, first initial. An additional charcoal gray name tape with gold embroidered lettering is affixed to the right breast, opposite its twin. The tape should read RMACS. For an example of the name tapes, as well as a guide to proper placement, please consult the Measurement and Insignia Guide section of this manual.

Rank insignia is similarly embroidered in gold or silver thread on a charcoal gray fabric tape and worn directly beneath the name tape so that the tapes are touching at their edge. Officers may instead elect to wear their metal rank insignia, and it is displayed 1/4" below, and centered on, the name tape.

The RMACS patch is affixed to the upper right sleeve, and the assignment patch is affixed to the upper left sleeve.

Required Items:

1. Charcoal gray coveralls
2. Dark purple/white 7/8" grosgrain ribbon
3. Black low-topped boots
4. Charcoal gray embroidered name tape
5. Charcoal gray embroidered RMACS tape
6. Charcoal gray embroidered rank tape
7. ACS patch
8. Assignment patch
9. Black compression mock turtleneck
10. Gray beret with RMACS flash



Service Undress Uniform

The service undress uniform is worn by all personnel for most standard shipboard or ground side activities that do not involve dirty tasks or environments but would not warrant a more formal uniform variant. This uniform is considered the UOD (uniform of the Day) for all Astro Control Service personnel unless otherwise specified.

All ranks wear the RMACS patch affixed to the upper right sleeve.

All ranks wear their assignment patch affixed to the upper left sleeve.

All ranks wear a gray RMACS beret with the RMACS flash positioned over the left eye.

Officers wear a black uniform tunic with black trousers. The trousers feature a 7/8" medium gray stripe down the outer seam of each leg, beginning at the waist and ending at the cuff. Trousers are worn bloused into black, low-topped boots or worn un-bloused with shined black oxford uniform shoes or boots. A black, close-fitting mock turtleneck is worn under the tunic. A black uniform belt with a gold military friction buckle is worn. A black fabric name tape with gold embroidered lettering is worn, affixed with Velcro, to the left breast of the uniform tunic. All name tapes should feature the wearers last name, first initial. For an example of the name tape, as well as a guide to proper placement, please consult the Measurement and Insignia Guide section of this manual.

Patrol Craft and Station Commanding Officers, C-14 to C-17, as befitting their position, are authorized to wear dark purple ribbon behind their rank stripes.

Detachment Commanding Officers, C-18 to C-21, are authorized to wear a white ribbon behind their rank stripes.

Enlisted Trainees and Permanent Personnel do not have a dedicated Service Undress uniform. The working uniform should be worn for all occasions when a Service Undress Uniform would be worn, and it is recommended that personnel maintain two working uniforms for that purpose.

OPTIONAL: A plain black, tactical-style belt may be worn with a standard military sidearm (RMN/RMMC pulser) and its accompanying drop leg holster with the service undress uniform. For officers the belt should be worn under the tunic at the waist of the trousers. Enlisted personnel should wear the belt over their coveralls, at the natural waist.

Flight wings, ribbon rack, or any other article not specifically indicated, are not authorized for wear with the undress uniform.

Service Undress Uniform (continued)

Officers:

The RMACS patch is worn on the upper right sleeve.

The assignment patch is worn on the upper left sleeve

Rank insignia is worn on the collar and on the cuffs. No shoulder boards are worn on the service undress uniform tunic. Medium gray ribbon is worn behind the rank stripes of all commissioned RMACS personnel C-14 to C-23. Exceptions to that policy are noted on page 22. For an example of the ribbon, as well as a guide to proper placement, please consult the Measurement and Insignia Guide section of this manual.

Any award stripes earned are worn on the upper right sleeve, below the RMACS patch. For a guide to proper placement please consult the Measurement and insignia Guide section of this manual.

Required Items:

- | | |
|---|---------------------------------------|
| 1. Black uniform tunic w/ rank braid | 7. RMACS patch |
| 2. Black uniform trousers | 8. Award stripe(s) as earned |
| 3. Medium gray grosgrain ribbon | 9. Assignment patch |
| 4. Black uniform belt with gold military buckle | 10. Gold/silver rank insignia |
| 5. Black low-topped boots or shoes | 11. Black compression mock turtleneck |
| 6. Black embroidered name tape | 12. Gray beret with RMACS flash |



Service Dress Uniform

The service dress uniform is the most formal uniform afforded most enlisted personnel and the standard uniform for all but the most formal of military activities. All personnel wear a uniform tunic for this uniform variant.

All ranks wear the RMACS patch affixed to the upper right sleeve.

All ranks wear their assignment patch affixed to the upper left sleeve.

All ranks wear a black, close-fitting mock turtleneck.

All ranks wear a gray RMACS beret with the RMACS flash positioned over the left eye.

Patrol Craft and Station Commanding Officers, C-14 to C-17, as befitting their position, are authorized to wear dark purple ribbon behind their rank stripes.

Detachment Commanding Officers, C-18 to C-21, are authorized to wear a white ribbon behind their rank stripes.

All ranks may display awards that include a chest star, chest badge, or sash, if earned. Please consult TRMN-05, "Proper Wear and Display of the Knightly Orders and Chivalrous Awards," for further guidance.

All ranks wear black trousers bloused into black, low-topped boots or worn un-bloused with shined black oxford uniform shoes or boots. A black uniform belt with a gold military friction buckle is worn.

Officers wear the same trousers as worn with the service undress uniform. Enlisted personnel in the grades of C-4 through C-9 will wear a 1.5" medium gray stripe down the outer seam of each leg, beginning at the waist and ending at the cuff.

All ranks wear a gold-colored metal name badge with black lettering, affixed with clutch pins or magnets, on the right breast of the uniform tunic. All name badges should feature the wearers last name, first initial. For an example of the name badge, as well as a guide to proper placement of insignia, buttons, and awards, please consult the Measurement and Insignia Guide section of this manual.

All ranks display ribbons on the left breast along with Astro Control flight wings, if earned. Any unit awards earned are displayed below the name badge.

Officers wear a black uniform tunic.

Enlisted personnel wear a black, short, Eisenhower-style tunic, with medium gray trim.

OPTIONAL: A plain black, tactical-style belt may be worn with a standard military sidearm (RMN/RMMC pulser) and its accompanying drop leg holster with the service dress uniform. For all personnel, the belt should be worn under the tunic at the waist of the trousers.

Service Dress Uniform (continued)

Enlisted (Trainees):

The RMACS patch is worn on the upper right sleeve.

The assignment patch is worn on the upper left sleeve

Enlisted trainees will display a single gold rank stripes on the left sleeve only. Gold service stripes, if earned, will be displayed on the lower left sleeve. For proper placement please consult the Measurement and Insignia Guide section of this manual.

Any award stripes earned are worn on the upper right sleeve, below the RMACS patch. For a guide to proper placement please consult the Measurement and insignia Guide section of this manual.

Required Items:

- | | |
|---|---------------------------------------|
| 1. Black Eisenhower-style tunic | 7. Award stripe(s) as earned |
| 2. Black uniform trousers | 8. Assignment patch |
| 3. Black uniform belt with gold military buckle | 9. Gold rank stripe |
| 4. Black low-topped boots or shoes | 10. Gold service stripe(s) as earned |
| 5. Gold metal name badge | 11. Black compression mock turtleneck |
| 6. RMACS patch | 12. Gray beret with RMACS flash |



Service Dress Uniform (continued)

Enlisted (Permanent Personnel):

The RMACS patch is worn on the upper right sleeve.

The assignment patch and rating patch, if earned, are worn on the upper left sleeve

Enlisted personnel will display the appropriate number of gold chevrons/rockers for their current rank as well as their rating patch, if earned, on the left sleeve only. Gold service stripes, if earned, will be displayed on the lower left sleeve. For proper placement please consult the Measurement and Insignia Guide section of this manual.

Any award stripes earned are worn on the upper right sleeve, below the RMACS patch. For a guide to proper placement please consult the Measurement and insignia Guide section of this manual.

Required Items:

1. Black Eisenhower-style tunic
2. Black uniform trousers
3. Medium gray 1.5" grosgrain ribbon
4. Black uniform belt with gold military buckle
5. Black low-topped boots or shoes
6. Gold metal name badge
7. RMACS patch
8. Award stripe(s) as earned
9. Assignment patch
10. Rating patch as earned
11. Gold rank chevrons/rockers
12. Gold service stripe(s) as earned
13. Black compression mock turtleneck
14. Gray beret with RMACS flash



Service Dress Uniform (continued)

Officers:

The RMACS patch is worn on the upper right sleeve.

The assignment patch is worn on the upper left sleeve

Rank insignia is worn on the collar and on the cuffs. Shoulder boards are worn on the service dress uniform tunic. Medium gray ribbon is worn behind the rank stripes of all commissioned RMACS personnel C-14 to C-23. Exceptions to that policy are noted on page 24. For an example of the ribbon, as well as a guide to proper placement, please consult the Measurement and Insignia Guide section of this manual.

Any award stripes earned are worn on the upper right sleeve, below the RMACS patch. For a guide to proper placement please consult the Measurement and insignia Guide section of this manual.

Required Items:

- | | |
|---|---------------------------------------|
| 1. Black uniform tunic w/ rank braid | 7. RMACS patch |
| 2. Black uniform trousers | 8. Award stripe(s) as earned |
| 3. Medium gray grosgrain ribbon | 9. Assignment patch |
| 4. Black uniform belt with gold military buckle | 10. Shoulder boards |
| 5. Black low-topped boots or shoes | 11. Gold/silver rank insignia |
| 6. Gold metal name badge | 12. Black compression mock turtleneck |
| | 13. Gray beret with RMACS flash |



Dress Uniform

The dress uniform is the most formal uniform many officers will wear during their time in the service, and the most formal uniform authorized for senior non-commissioned officers in the grades of C-7 through C-9. It is worn for formal duties, such as those involving interaction with the public. It is a more formal version of the service undress uniform. All personnel wear a uniform tunic for this uniform variant. The wearing of a sidearm or holster is not authorized with the dress uniform.

All ranks wear the RMACS patch affixed to the upper right sleeve.

All ranks wear their assignment patch affixed to the upper left sleeve.

All ranks wear a black, close-fitting mock turtleneck.

All ranks wear a gray RMACS beret with the RMACS flash positioned over the left eye.

Patrol Craft and Station Commanding Officers, C-14 to C-17, as befitting their position, are authorized to wear dark purple ribbon behind their rank stripes.

Detachment Commanding Officers, C-18 to C-21, are authorized to wear a white ribbon behind their rank stripes.

All ranks may display awards that include a chest star, chest badge, or sash, if earned. Please consult TRMN-05, "Proper Wear and Display of the Knightly Orders and Chivalrous Awards," for further guidance.

All ranks wear black trousers, un-bloused, with shined black oxford uniform shoes or boots. A black uniform belt with a gold military friction buckle is worn. Personnel should not blouse the trouser legs with the dress uniform.

All ranks wear a gold-colored metal name badge with black lettering, affixed with clutch pins or magnets, on the right breast of the uniform tunic. All name badges should feature the wearers last name, first initial. For an example of the name badge, as well as a guide to proper placement of insignia, buttons, and awards, please consult the Measurement and Insignia Guide section of this manual.

All ranks display medals on the left breast along with Astro Control flight wings, if earned. If medals are unavailable, ribbons may be substituted. Any unit awards earned are displayed below the name badge.

Officers wear a uniform identical to that worn for the service undress with the following addition. A double row of 18 gold TRMN buttons are worn on the plastron, 9 buttons on each side.

Senior non-commissioned officers in the grades of C-7 through C-9 wear the same uniform tunic and trousers as officers with the exception that they will wear a 1.5" medium gray stripe down the outer seam of each leg, beginning at the waist and ending at the cuff.

Dress Uniform (continued)

Enlisted (Permanent Personnel, C-7 through C-9):

The RMACS patch is worn on the upper right sleeve.

The assignment patch and rating patch, if earned, are worn on the upper left sleeve

Enlisted personnel will display the appropriate number of gold chevrons/rockers for their current rank as well as their rating patch, if earned, on the left sleeve only. Gold service stripes, if earned, will be displayed on the lower left sleeve. For proper placement please consult the Measurement and Insignia Guide section of this manual.

Any award stripes earned are worn on the upper right sleeve, below the RMACS patch. For a guide to proper placement please consult the Measurement and insignia Guide section of this manual.

Required Items:

1. Black uniform tunic with buttons
2. Black uniform trousers
3. Medium gray 1.5" grosgrain ribbon
4. Black uniform belt with gold military buckle
5. Black low-topped boots or shoes
6. Gold metal name badge
7. RMACS patch
8. Award stripe(s) as earned
9. Assignment patch
10. Rating patch as earned
11. Gold rank chevrons/rockers
12. Gold service stripe(s) as earned
13. Black compression mock turtleneck
14. Gray beret with RMACS flash



Dress Uniform (continued)

Officers:

The RMACS patch is worn on the upper right sleeve.

The assignment patch is worn on the upper left sleeve

Rank insignia is worn on the collar and on the cuffs. Medium gray ribbon is worn behind the rank stripes of all commissioned RMACS personnel C-14 to C-23. Exceptions to that policy are noted on page 28. For an example of the ribbon, as well as a guide to proper placement, please consult the Measurement and Insignia Guide section of this manual.

Shoulder boards are worn.

Any award stripes earned are worn on the upper right sleeve, below the RMACS patch. For a guide to proper placement please consult the Measurement and insignia Guide section of this manual.

Required Items:

1. Black uniform tunic with buttons
2. Black uniform trousers
3. Medium gray grosgrain ribbon
4. Black uniform belt with gold military buckle
5. Black low-topped boots or shoes
6. Gold metal name badge
7. RMACS patch
8. Award stripe(s) as earned
9. Assignment patch
10. Shoulder boards
11. Gold/silver rank insignia
12. Black compression mock turtleneck
13. Gray beret with RMACS flash



Mess Dress Uniform

The mess dress uniform is reserved exclusively for officers. It is worn for the most formal of duties and is the military equivalent of civilian formal wear or court attire. It is authorized in two varieties; Class A, and Class B.

The Class A mess dress uniform is the most formal of the mess dress uniforms, worn with the RMN naval sword and gold tassel shoulder boards. The Class B mess dress uniform is slightly less formal, omitting the sword and trading the gold tassel shoulder boards for the standard shoulder boards worn by all RMACS officers.

The RMACS uses the RMN naval sword, which is modeled after Admiral Nelson's Fighting Spadroon. Due to the unique nature of the sword, personal substitutions are NOT authorized per Admiralty House and Bureau Nine. The wearing of a sidearm or holster is not authorized with the mess dress uniform. White or gray cotton parade gloves may be worn with the mess dress uniform.

All ranks wear the RMACS patch affixed to the upper right sleeve.

All ranks wear their assignment patch affixed to the upper left sleeve.

All ranks wear a black, close-fitting mock turtleneck.

All ranks wear a gray RMACS beret with the RMACS flash positioned over the left eye.

Patrol Craft and Station Commanding Officers, C-14 to C-17, as befitting their position, are authorized to wear dark purple ribbon behind their rank stripes.

Detachment Commanding Officers, C-18 to C-21, are authorized to wear a white ribbon behind their rank stripes.

All ranks may display awards that include a chest star, chest badge, or sash, if earned. Please consult TRMN-05, "Proper Wear and Display of the Knightly Orders and Chivalrous Awards," for further guidance.

All ranks wear black trousers, un-bloused, with shined black oxford uniform shoes or boots. A black uniform belt with a gold military friction buckle is worn. Personnel should not blouse the trouser legs with the mess dress uniform.

Mess Dress Uniform (continued)

All ranks wear a gold-colored metal name badge with black lettering, affixed with clutch pins or magnets, on the right breast of the uniform tunic. All name badges should feature the wearers last name, first initial. For an example of the name badge, as well as a guide to proper placement of insignia, buttons, and awards, please consult the Measurement and Insignia Guide section of this manual.

All ranks display medals on the left breast along with the Astro Control flight wings, if earned. If medals are unavailable, ribbons may be substituted. Any unit awards earned are displayed below the name badge.

All ranks will wear a yellow gold sash, tied on the left with the two tassels hanging just above the wearers knees. The sash is worn at the wearers natural waist, near the belly button. If the wearer has elected to utilize the "tuck" method for realizing the mess dress uniform, the sash will hide the effect. A YouTube video has been included to provide instructions for wearing the sash and may be found in the Special Notes section of this manual. The video provides basic instructions on how to wear the sash, and the uniform Board recommends taking ones time to ensure a neat appearance. Modifications may be necessary to ensure the proper look and to ensure the sash falls to the correct spot, however the video should provide a good starting point.

Mess Dress Uniform (continued)

Mess Dress Uniform, Class A

Officers wear a 7/8" medium gray stripe down the outer seam of each leg, beginning at the waist and ending at the cuff.

Officers wear the RMN sword belt under the sash. The sword should hang on the left. Both the sash and sword belt are worn at the wearers natural waist, near the belly button.

Officers wear their rank insignia on the collar and on the cuffs. Medium gray ribbon is worn behind the rank stripes of all commissioned RMACS personnel C-14 to C-23. Exceptions to that policy are noted on page 31. For an example of the ribbon, as well as a guide to proper placement, please consult the Measurement and Insignia Guide section of this manual.

Officers (C-12 through C-17) may wear one of two uniform tunics for the mess dress, class A, uniform.

The first, and most popular, is the same uniform tunic worn for the dress uniform. The tunic and plastron are simply tucked into the trousers, creating the look of a half jacket.

The second is a specially constructed half jacket and plastron that extends to the wearers waist. This jacket may be effected by utilizing the recommended pattern for mess dress uniforms, McCalls 4745, and only constructing the upper half of their "View A" jacket. A plastron should then be constructed using the patterns included with the official TRMN officers jacket as a guide.

Mess dress specific shoulder boards are worn.

Flag officers (C-18 through C-23) wear a long black, Civil War style, frock coat for the mess dress, class A, uniform.

The frock coat is styled in the same manner as all other RMACS uniform tunics with the main difference being the additional length. As such, additional buttons will be required for the plastron.

This frock coat may be effected by utilizing the recommended pattern for mess dress uniforms, McCalls 4745, and constructing their "View B" coat, modified to zip up the front. An extended plastron should then be constructed using the patterns included with the official TRMN officers jacket as a guide. Furthermore, on the rear of the frock coat, place a single gold TRMN button on the waist line above the point of each "tail." The finished frock coat should fall to just above the wearers knees.

Mess dress specific shoulder boards are worn.

Mess Dress Uniform (continued)

Mess Dress Uniform, Class B

Officers wear a 7/8" medium gray stripe down the outer seam of each leg, beginning at the waist and ending at the cuff.

Officers do **NOT** wear the RMN sword belt under the sash.

Officers wear their rank insignia on the collar and on the cuffs. Medium gray ribbon is worn behind the rank stripes of all commissioned ASC personnel C-14 to C-23. Exceptions to that policy are noted on page 31. For an example of the ribbon, as well as a guide to proper placement, please consult the Measurement and Insignia Guide section of this manual.

Officers (C-12 through C-17) may wear one of two uniform tunics for the mess dress, class B, uniform.

The first, and most popular, is the same uniform tunic worn for the dress uniform. The tunic and plastron are simply tucked into the trousers, creating the look of a half jacket.

The second is a specially constructed half jacket and plastron that extends to the wearers waist. This jacket may be effected by utilizing the recommended pattern for mess dress uniforms, McCalls 4745, and only constructing the upper half of their "View A" jacket. A plastron should then be constructed using the patterns included with the official TRMN officers jacket as a guide.

Standard RMACS shoulder boards are worn.

Flag officers (C-18 through C-23) wear a long black, Civil War style, frock coat for the mess dress, class B, uniform.

The frock coat is styled in the same manner as all other RMACS uniform tunics with the main difference being the additional length. As such, additional buttons will be required for the plastron.

This frock coat may be effected by utilizing the recommended pattern for mess dress uniforms, McCalls 4745, and constructing their "View B" coat, modified to zip up the front. An extended plastron should then be constructed using the patterns included with the official TRMN officers jacket as a guide. Furthermore, on the rear of the frock coat, place a single gold TRMN button on the waist line above the point of each "tail." The finished frock coat should fall to just above the wearers knees.

Standard RMACS shoulder boards are worn.

Mess Dress Uniform (continued)

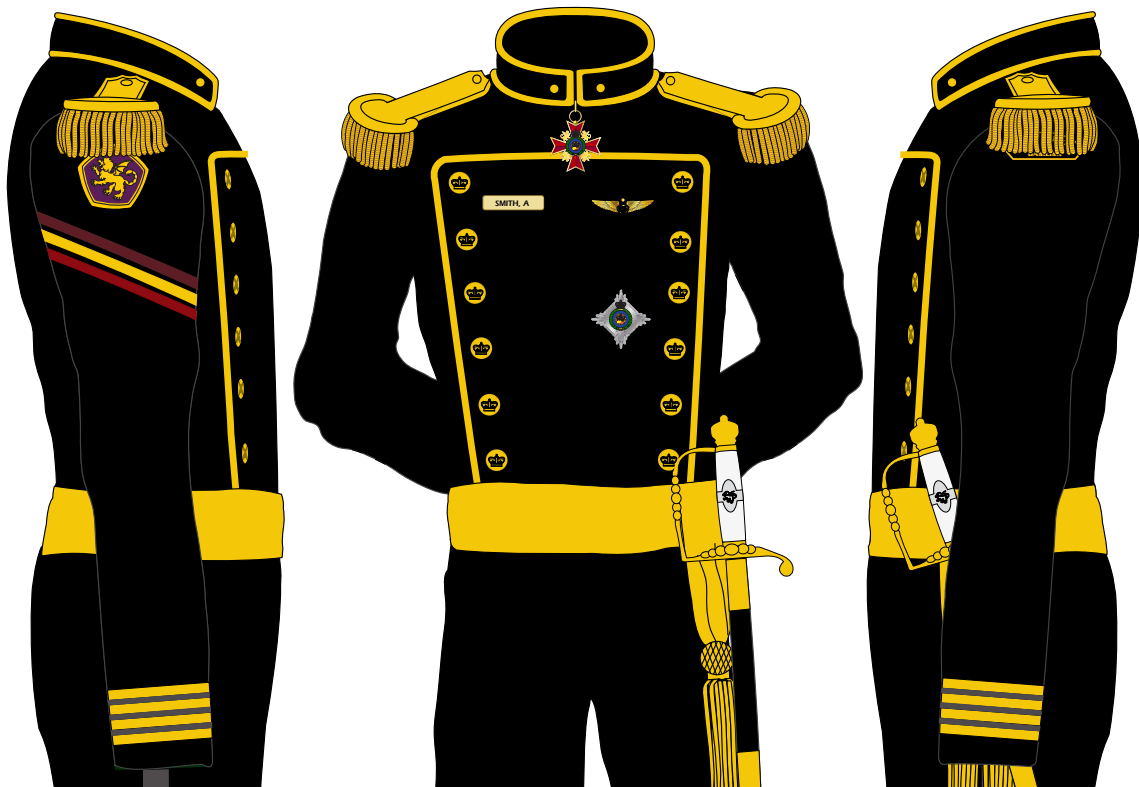
Officers (C-12 through C-17), Class A:

Rank insignia is worn on the collar and the cuffs

Any award stripes earned are worn on the upper right sleeve, below the RMACS patch. For a guide to proper placement please consult the Measurement and insignia Guide section of this manual.

Required Items:

1. Black uniform tunic w/ rank braid and buttons
2. Black uniform trousers
3. Medium gray grosgrain ribbon
4. Black uniform belt with gold military buckle
5. Yellow gold sash
6. Black USN sword belt
7. RMN sword
8. Black low-topped boots or shoes
9. Gold metal name badge
10. RMACS patch
11. Award stripe(s) as earned
12. Assignment patch
13. Gold/silver rank insignia
14. Metallic gold mess dress shoulder boards
15. Black compression mock turtleneck
16. Gray beret with RMACS flash



Mess Dress Uniform (continued)

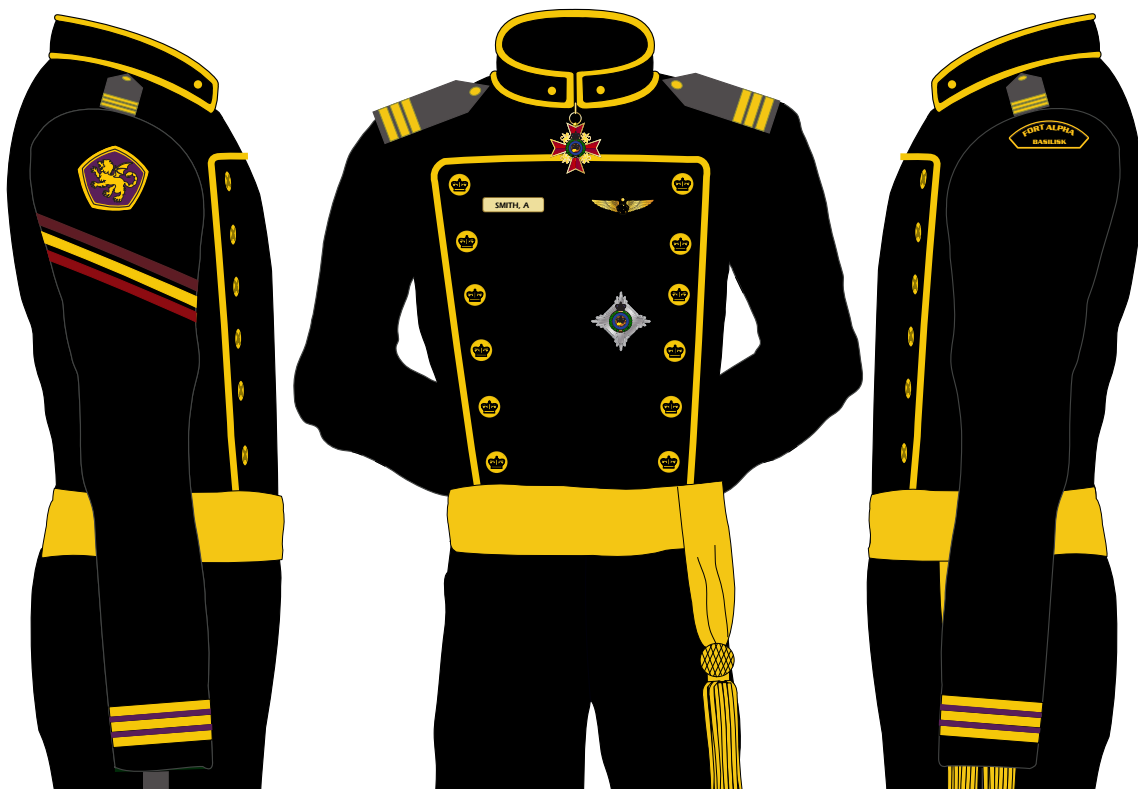
Officers (C-12 through C-17), Class B:

Rank insignia is worn on the collar, and on the cuffs. Standard RMACS shoulder boards are worn. No sword is worn.

Any award stripes earned are worn on the upper right sleeve, below the RMACS patch. For a guide to proper placement please consult the Measurement and insignia Guide section of this manual.

Required Items:

1. Black uniform tunic w/ rank braid and buttons
2. Black uniform trousers
3. Medium gray grosgrain ribbon
4. Black uniform belt with gold military buckle
5. Yellow gold sash
6. Black low-topped boots or shoes
7. Gold metal name badge
8. RMACS patch
9. Award stripe(s) as earned
10. Assignment patch
11. Gold/silver rank insignia
12. Standard RMACS shoulder boards
13. Black compression mock turtleneck
14. Gray beret with RMACS flash



Mess Dress Uniform (continued)

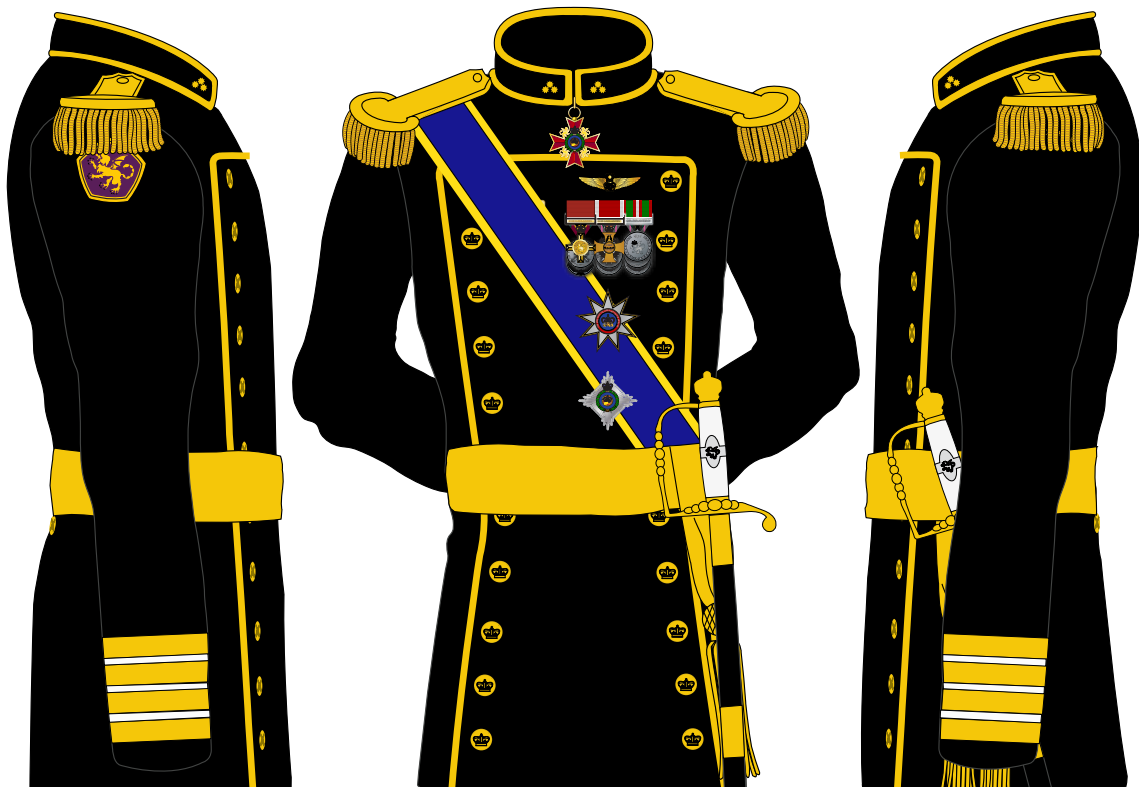
Flag Officers (C-18 through C-23), Class A:

Rank insignia is worn on the collar, and on the cuffs.

Any award stripes earned are worn on the upper right sleeve, below the RMACS patch. For a guide to proper placement please consult the Measurement and insignia Guide section of this manual.

Required Items:

1. Black uniform frock coat w/ rank braid and buttons
2. Black uniform trousers
3. Medium gray grosgrain ribbon
4. Black uniform belt with gold military buckle
5. Yellow gold sash
6. Black USN sword belt
7. RMN sword
8. Black low-topped boots or shoes
9. Gold metal name badge
10. RMACS patch
11. Award stripe(s) as earned
12. Assignment patch
13. Gold/silver rank insignia
14. Metallic gold mess dress shoulder boards
15. Black compression mock turtleneck
16. Gray beret with RMACS flash



Mess Dress Uniform (continued)

Flag Officers (C-18 through C-23), Class B:

Rank insignia is worn on the collar, and on the cuffs. Standard RMACS shoulder boards are worn. No sword is worn.

Any award stripes earned are worn on the upper right sleeve, below the RMACS patch. For a guide to proper placement please consult the Measurement and insignia Guide section of this manual.

Required Items:

1. Black uniform frock coat w/ rank braid and buttons
2. Black uniform trousers
3. Medium gray grosgrain ribbon
4. Black uniform belt with gold military buckle
5. Yellow gold sash
6. Black low-topped boots or shoes
7. Gold metal name badge
8. RMACS patch
9. Award stripe(s) as earned
10. Assignment patch
11. Gold/silver rank insignia
12. Standard RMACS shoulder boards
13. Black compression mock turtleneck
14. Gray beret with RMACS flash



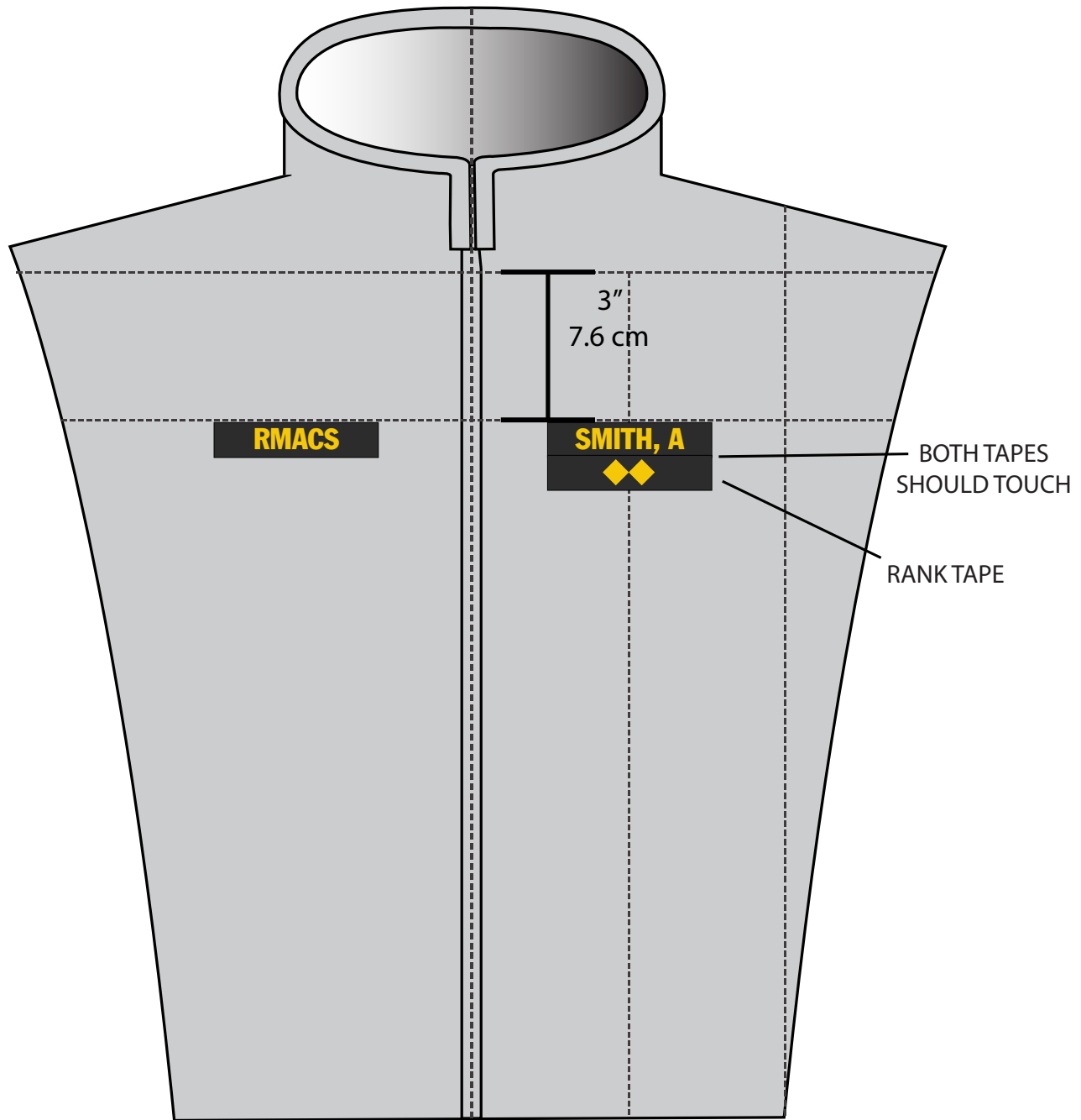
Measurement and Insignia Guide

The following section contains a measurement guide to assist with the proper placement of rank, insignia and awards. Also included are illustrations of the various ranks, pins, patches available to RMACS personnel. These pages are designed to be individually printed for ease of use and reference.



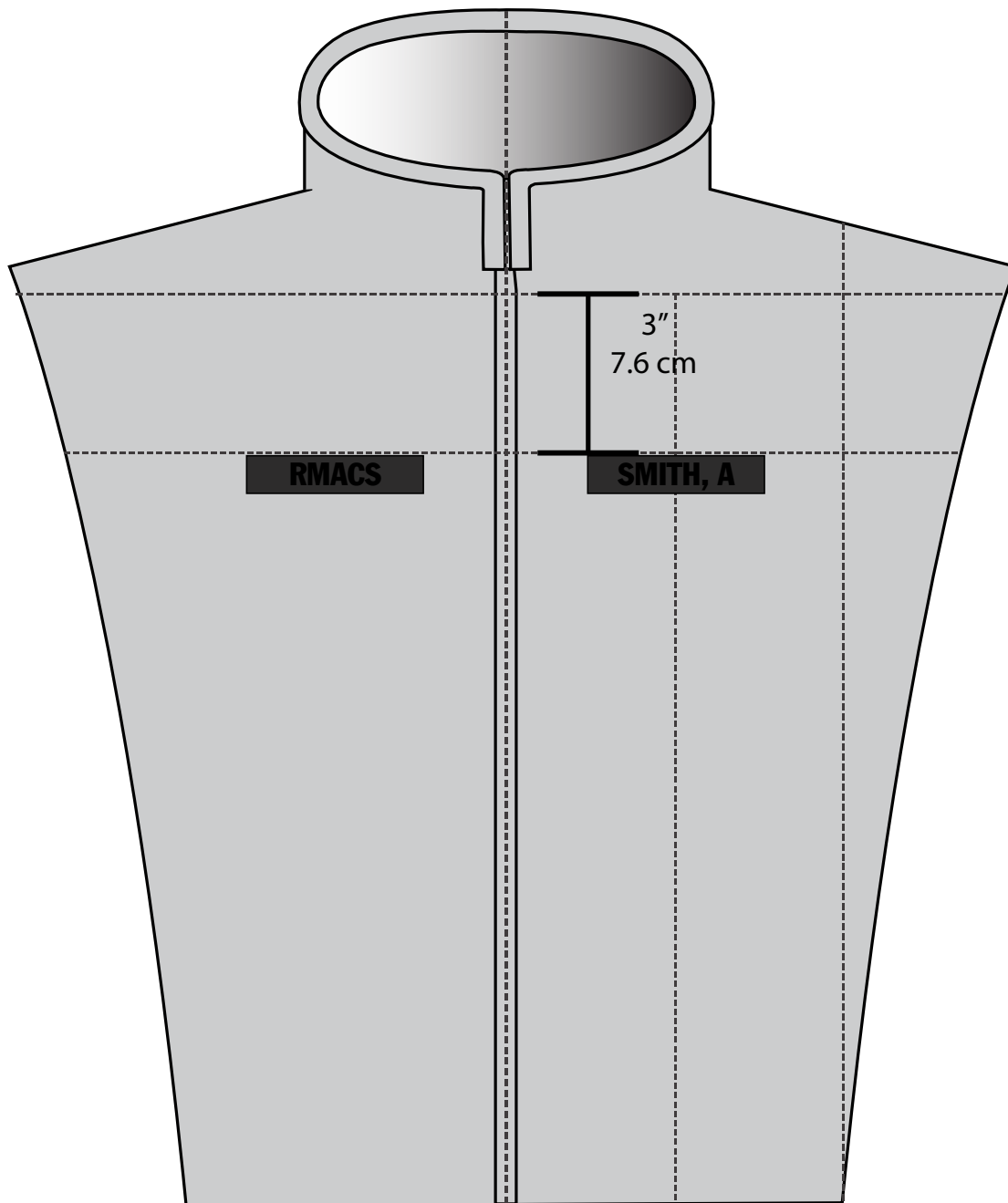
Measurement and Insignia Guide

Officer Working Uniform:



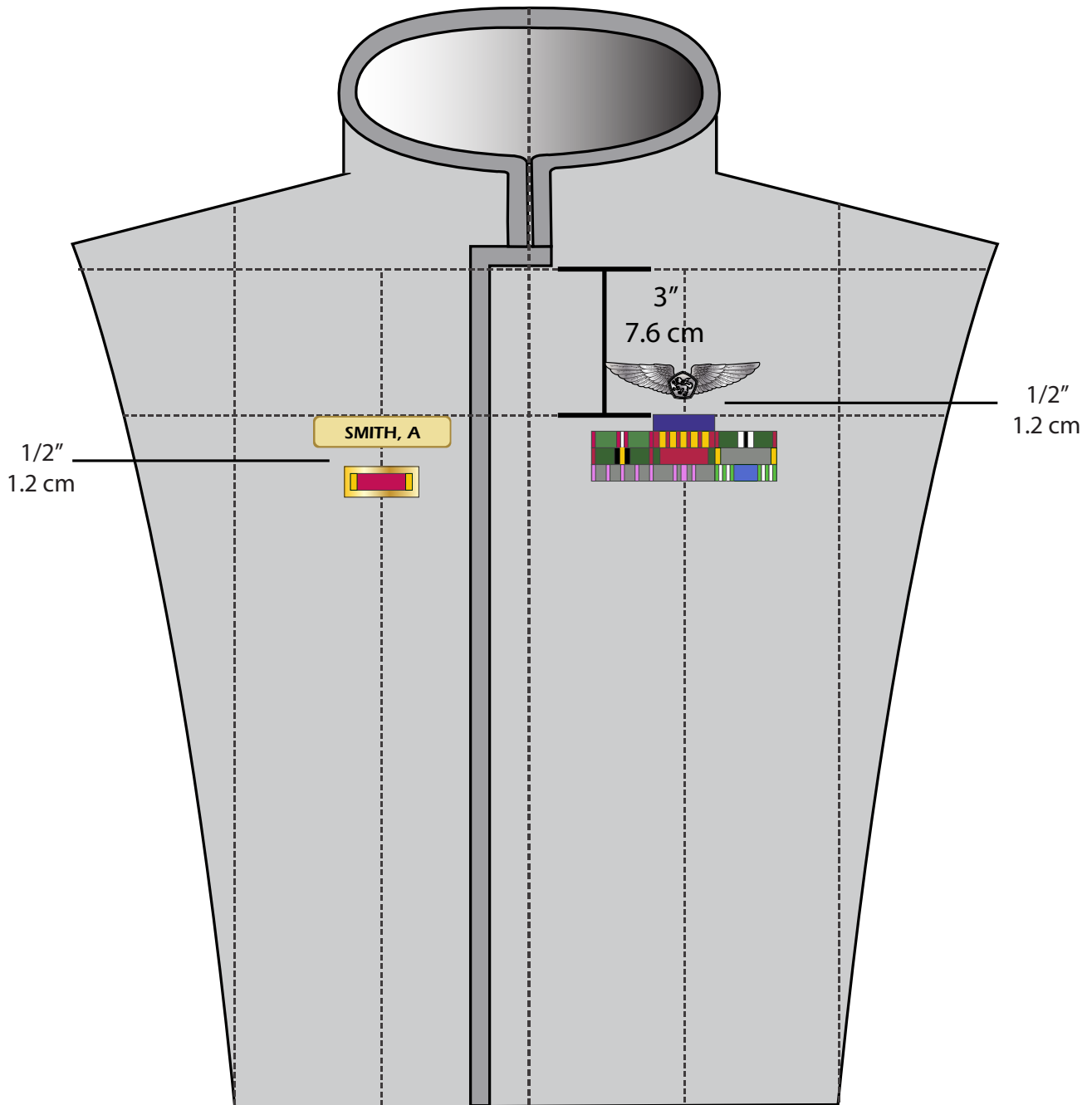
Measurement and Insignia Guide

Enlisted Working/Service Undress Uniform:



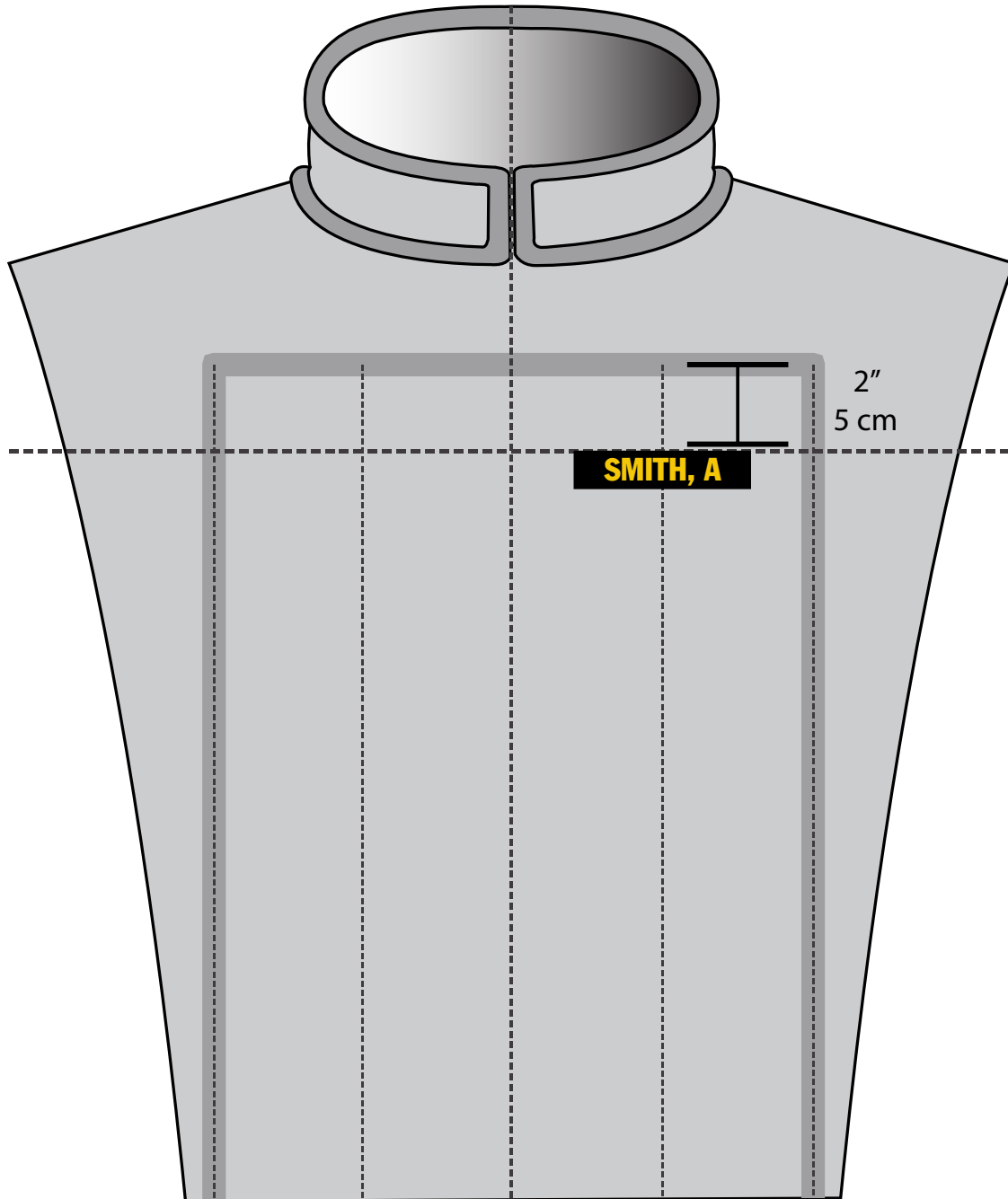
Measurement and Insignia Guide

Enlisted Service Dress Uniform:



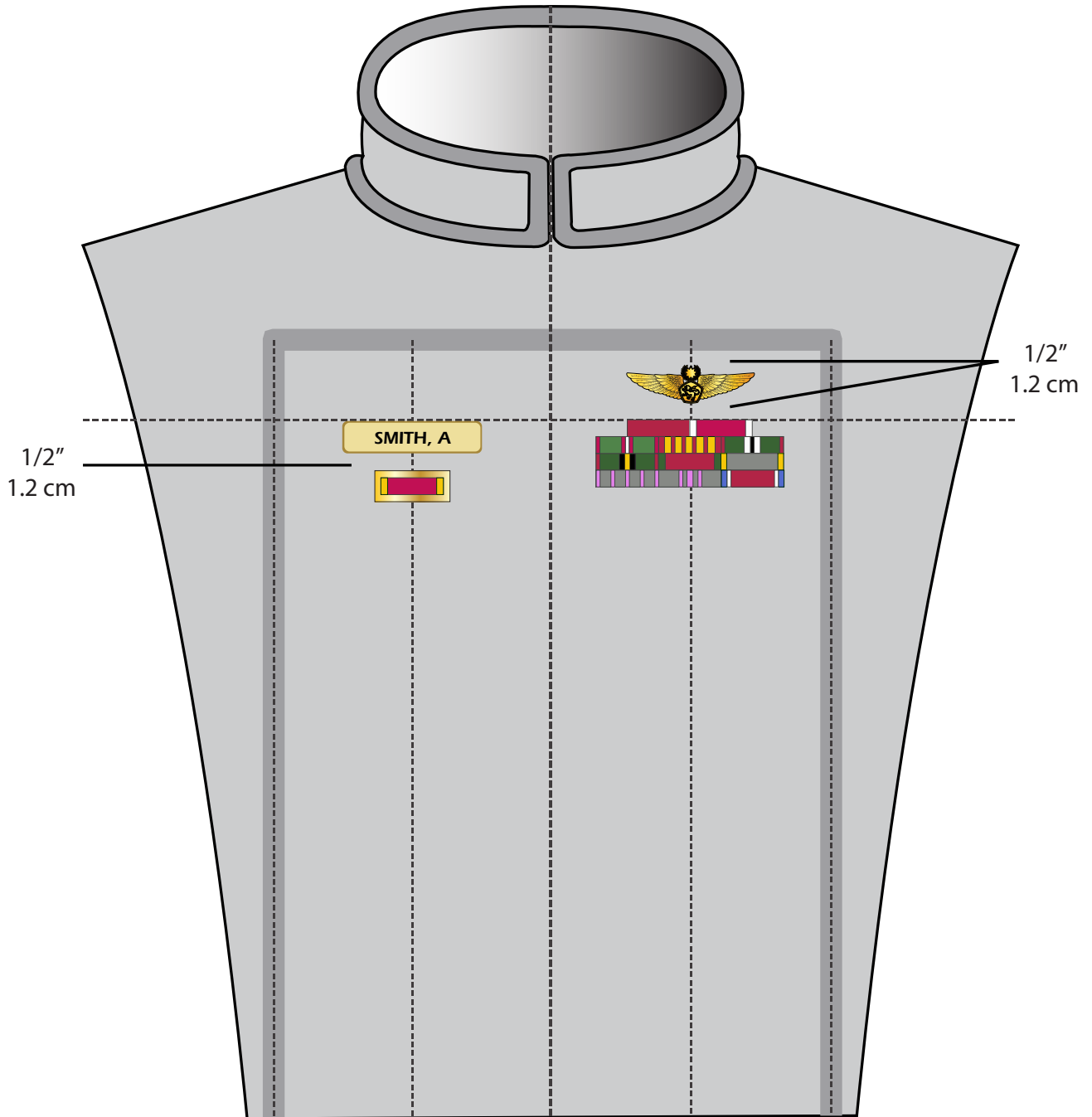
Measurement and Insignia Guide

Officer Service Undress Uniform:



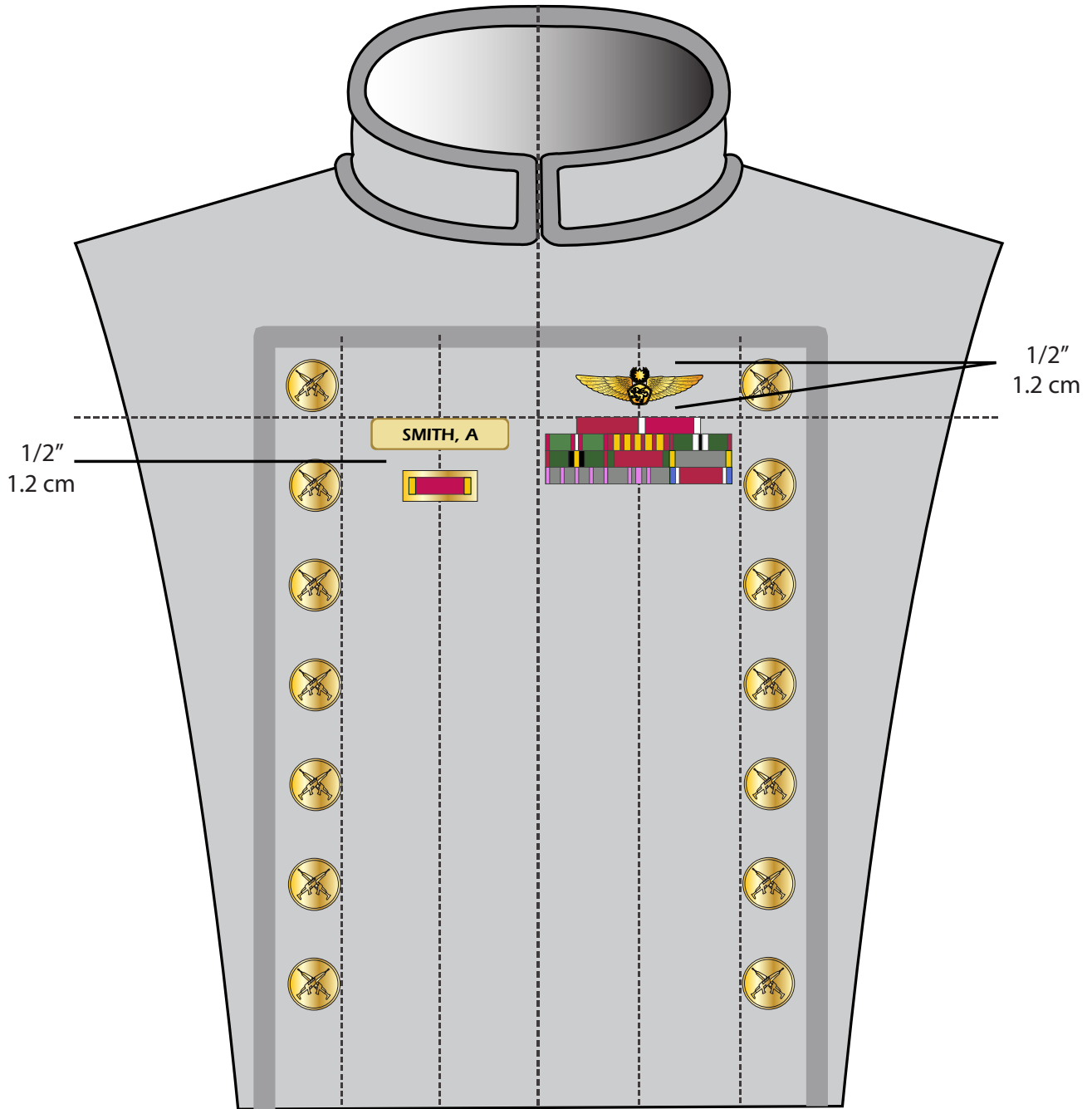
Measurement and Insignia Guide

Officer Service Dress Uniform:



Measurement and Insignia Guide

C-7 through C-9/Officer Dress Uniform:

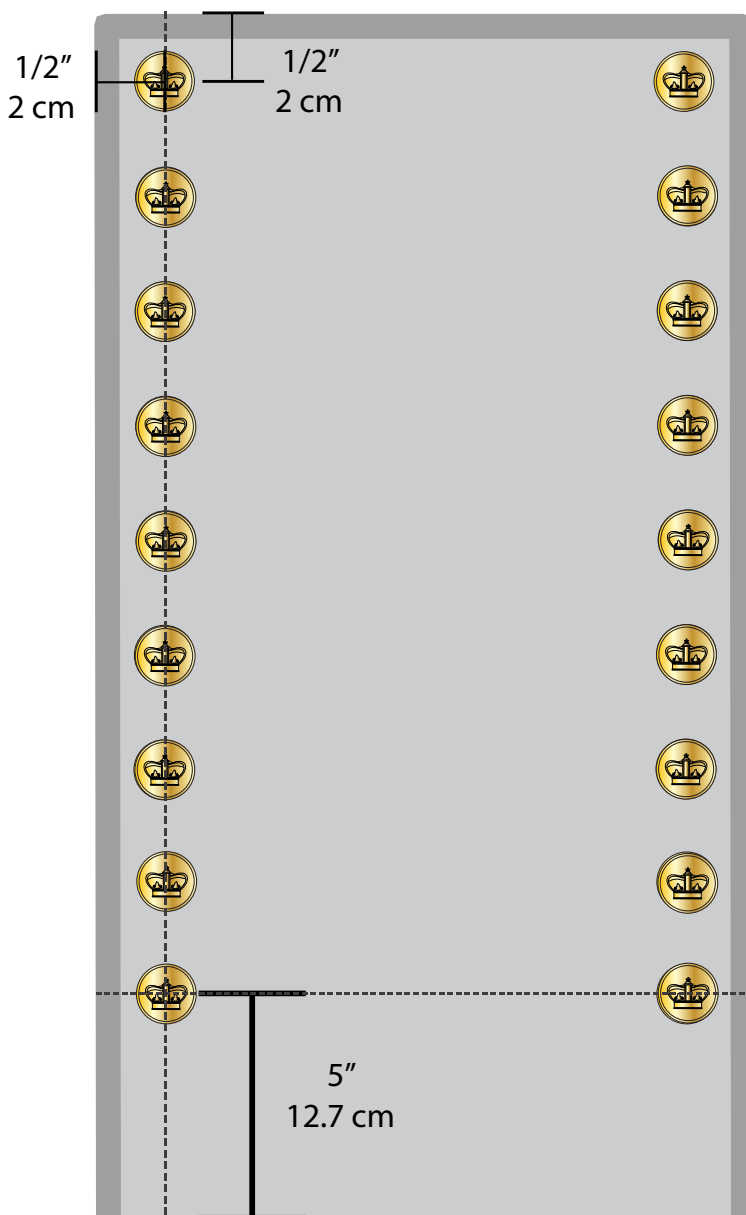


Measurement and Insignia Guide

Tunic Plastron (Bib) Buttons:

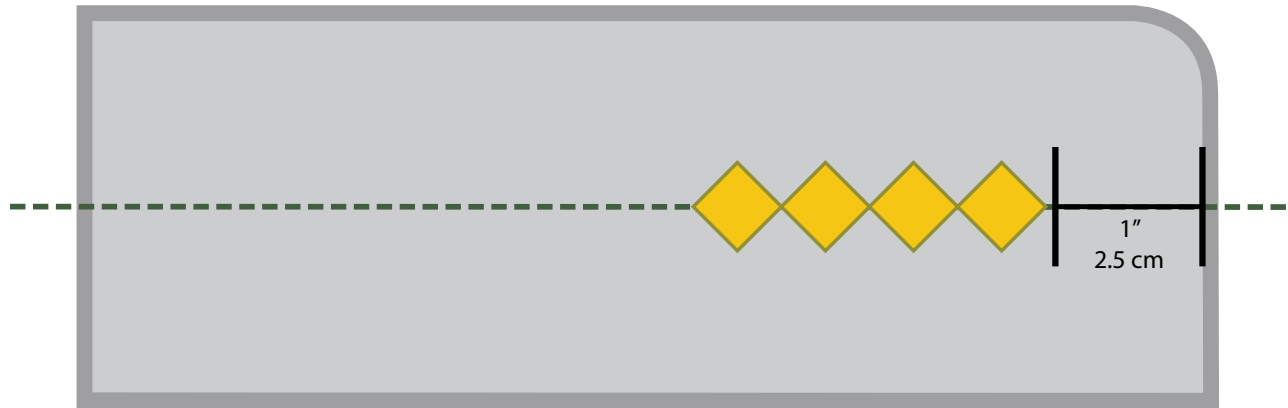
To place the tunic buttons first measure in from one side of the tunic 1/2" and make a mark with a fabric marking pencil or a piece of tailors chalk. Then measure down from the top of the tunic 1/2" and make a similar mark. Adjust so that both marks cross to form a "+." The center of the button will be sewn on that mark. To place the bottom button make a similar mark 1/2" in from the side, and make another mark, measuring up 5" from the bottom hem, so that both marks cross to form a "+." The remaining buttons should be evenly spaced between those two using a similar technique.

The plastron for service dress, dress, and junior officer mess dress uniforms will take a total of 18 buttons, 9 on each side. The senior officer frock coat will utilize more due to the additional length, but the top and bottom buttons should be placed per this guide.



Measurement and Insignia Guide

Officer Collar Insignia Placement:



Measurement and Insignia Guide

Enlisted Embroidered Rank Insignia:

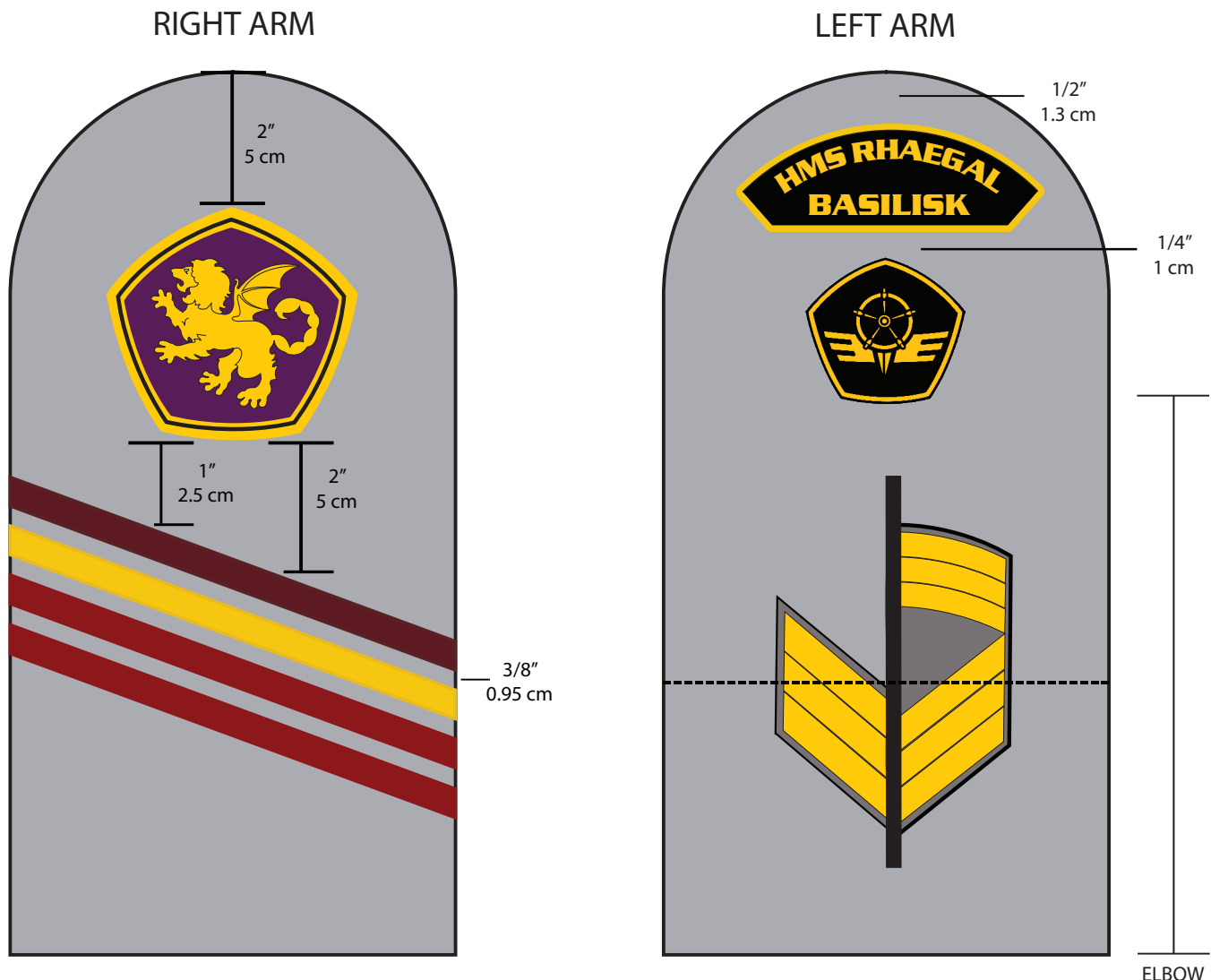
To attach the enlisted rank insignia to a uniform, it is recommended that the insignia first be sewn to a piece of medium gray felt. The felt should then be trimmed, leaving a small boarder as shown in the illustration, which can then be used to sew the insignia to the uniform jacket or tunic. 1/4" is recommended. Not only does this provide a sharp look, but it will make attaching the insignia much easier. Rank insignia is centered between the bottom of the rating patch and the elbow.

Award Stripes:

Award stripes are placed according to the measurements shown in the illustration. Award stripes should be placed 3/8" apart from one another and in the following order: Monarchs Thanks, Mentioned in Dispatches, Wound Stripe(s). For the purposes of this illustration, all available award stripes are shown.

The stripe should tuck into the sleeve seam near the shoulder, and likewise should tuck into the sleeve seam on the inner arm. Like color thread should be used to sew the stripe in place.

For further information on these stripes please consult RMN 5-1, RMN/RMMC Awards Manual.

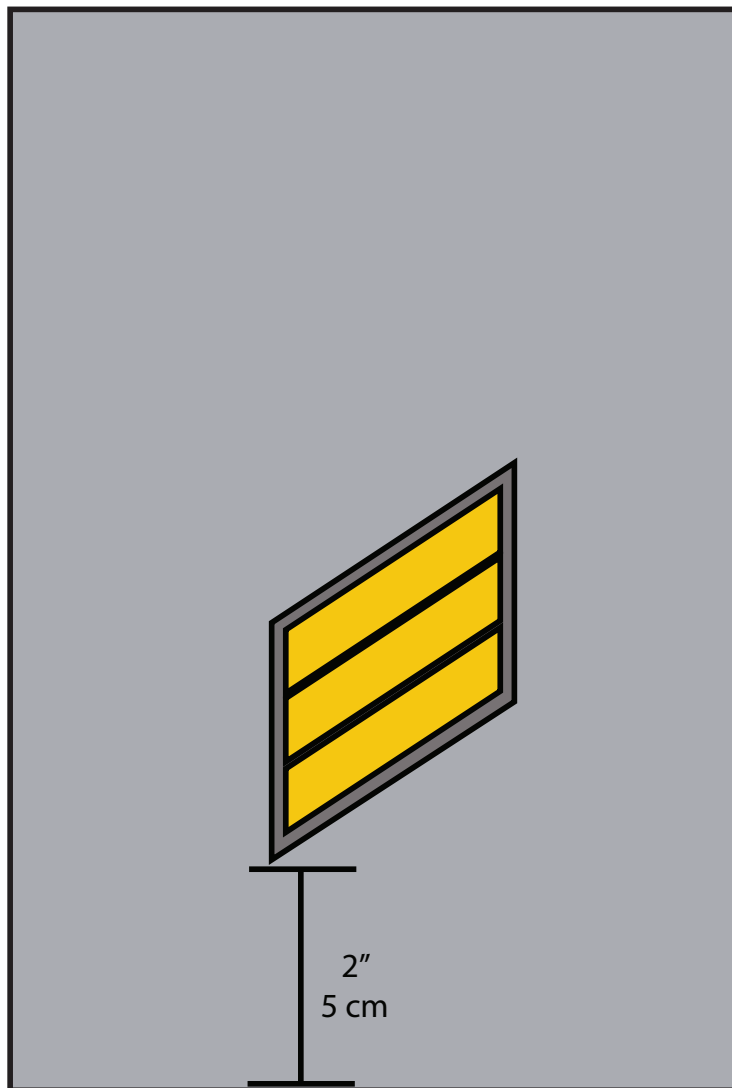


Measurement and Insignia Guide

Enlisted Service Stripes:

To attach the enlisted service stripes to a uniform, it is recommended that the stripes first be sewn to a piece of medium gray felt. The felt should then be trimmed, leaving a small boarder as shown in the illustration, which can then be used to sew the stripes to the uniform jacket or tunic. 1/4" is recommended. Not only does this provide a sharp look, but it will make attaching the stripes much easier.

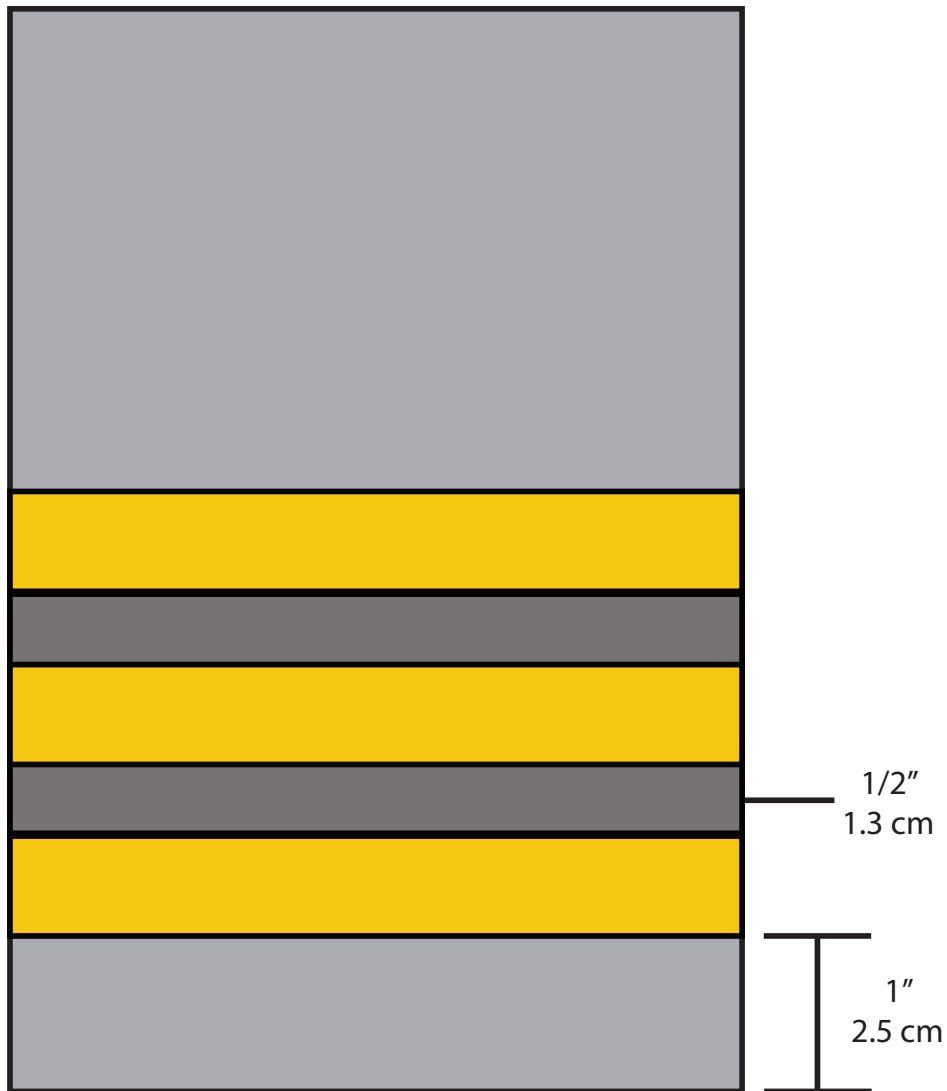
LEFT ARM ALL ENLISTED



Measurement and Insignia Guide

Officer Rank Braid:

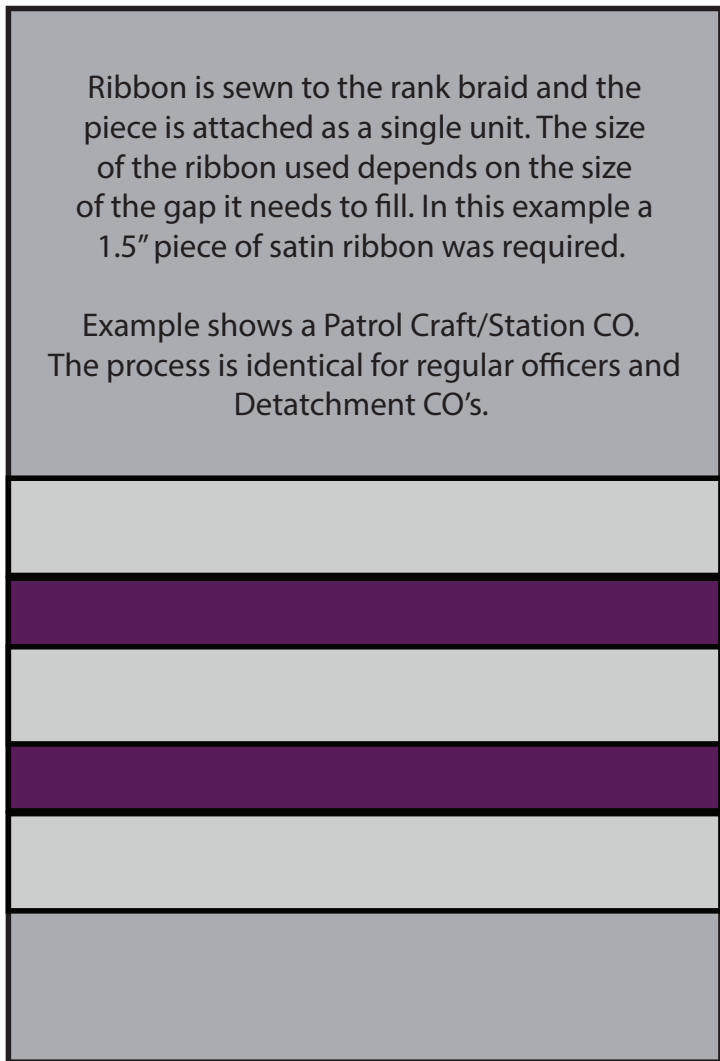
BOTH ARMS
OFFICERS



Measurement and Insignia Guide

Officer Rank Braid:

BOTH ARMS OFFICERS (RIBBON ATTACHMENT DETAIL)



Measurement and Insignia Guide

PATROL CRAFT PATCH EXAMPLES:



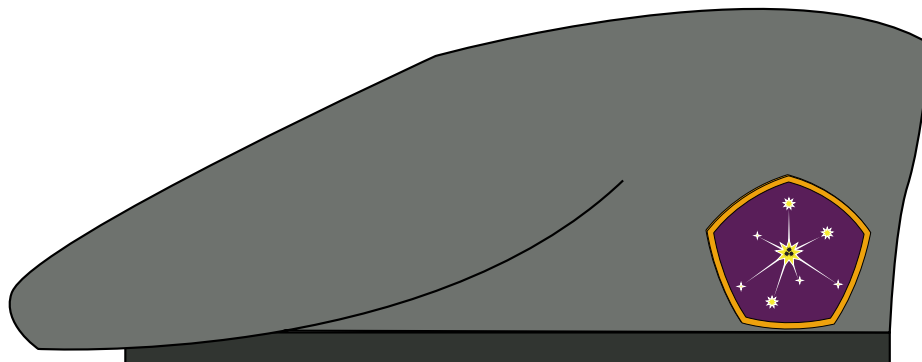
DETACHMENT PATCH EXAMPLE (AS WORN BY DETCOM STAFF):



FORT/STATION PATCH EXAMPLE (AS WORN BY ALL PERSONNEL ASSIGNED):



RMACS BERET:



Measurement and Insignia Guide

RATING PATCH EXAMPLES AND NAME BADGES:



ENLISTED
NAME TAPE



OFFICER NAME TAPE
(WORKING)



RMACS TAPE
OFFICERS: GOLD | ENLISTED: BLACK
(WORKING)



OFFICER NAME TAPE
(SERVICE UNDRRESS)



ALL RANKS
NAME BADGE



OFFICER RANK TAPE
(WORKING)

Measurement and Insignia Guide

ACS NAME BADGE:

The RMACS metal name badge shall be purchased from "My Name Badges". It shall consist of the wearers last name, first initial. For example: "SMITH, A"

The name shall be in all caps with no period/dot after the first initial.

Those members who have earned a peerage may elect to wear a name badge with their peerage name. For example: The Grand Duke Montana may wear a name badge that says MONTANA.

A three magnet magnetic backing is generally accepted as the norm, however some members prefer to use a traditional clutch back.

A link to the company shown in the screenshot below is included in the Special Notes section of this manual.

The screenshot shows the My Name Badges website interface. At the top, there is a navigation bar with links for Home, Plastic Name Badges, Metal Name Badges, Self-Expiring Badges, Make Your Own Badge, Visitor Badges, and Badge Buddy. The main content area features a product listing for a "0.625" x 2.5" MaestroBadge - Durable Metal, 5/8" x 2 1/2"". Below the product listing, there is a "Design Your Own Badge" section. This section includes a text input field with the sample text "LAST, FI", a font selection dropdown set to "Optima", and a preview window showing the badge design. The preview window also includes buttons for "Preview", "Edit Design", and "Spell Check". At the bottom of the design section, there are two buttons: "Save & Create More" and "Save & Next step".

Uniform Board Suggestion: This supplier offers price breaks for larger orders. If a group order is desired, please place a pre-order with the Bureau of Supply. Be advised that the order may take longer.

Measurement and Insignia Guide

OFFICER MESS DRESS, CLASS A, EPAULETS:

The RMACS officer mess dress, class A, epaulets shall be purchased from "QuartermasterShop.com". They are reproduction US Army Civil War era gold epaulets.

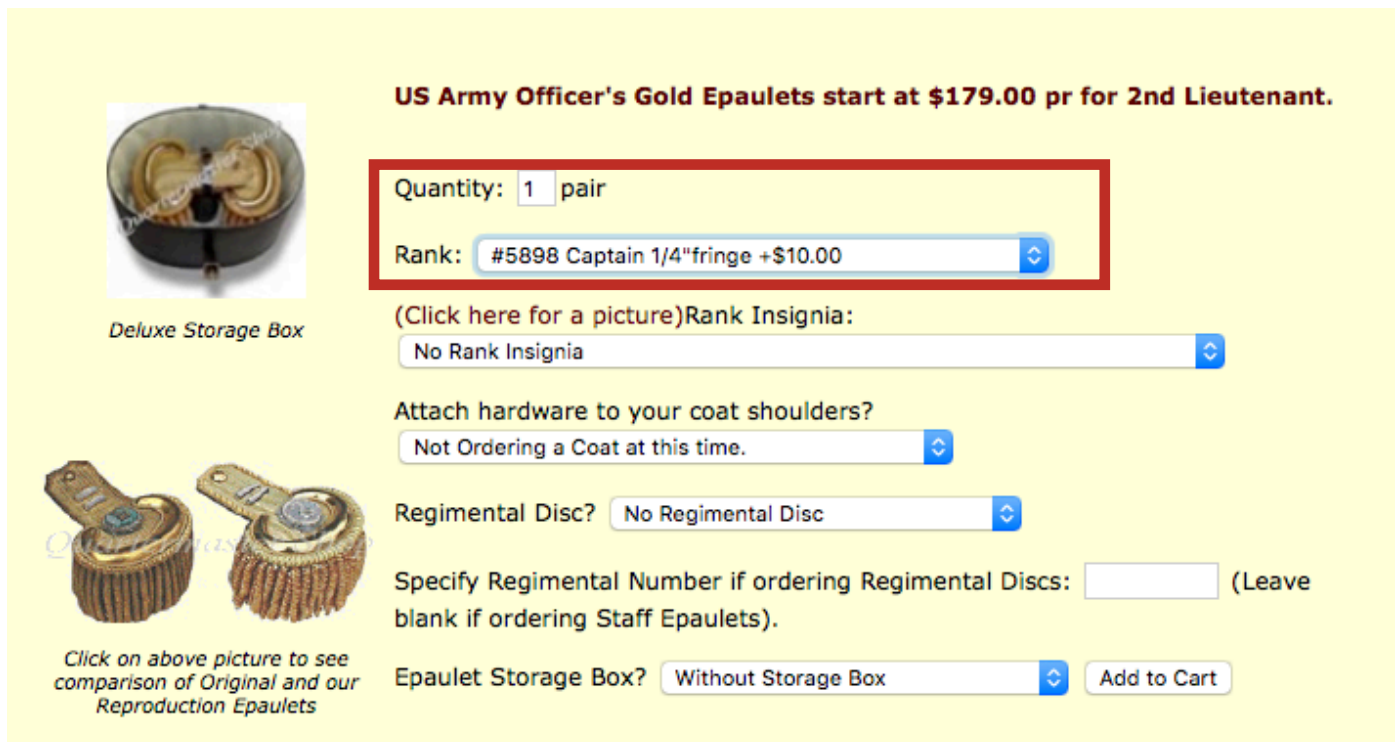
Junior Officers (C-12 through C-17) wear the version with 1/8" fringe.

Flag Officers (C-18 through C-21) wear the version with 1/4" fringe.

Senior Flag Officers (C-22 through C-23) wear the version with 1/2" fringe.

When ordering it is only necessary to select the fringe size, as indicated above, for your rank. All other options should be left blank.

A link to the company shown in the screenshot below is included in the Special Notes section of this manual.



US Army Officer's Gold Epaulets start at \$179.00 pr for 2nd Lieutenant.

Quantity: 1 pair

Rank: #5898 Captain 1/4"fringe +\$10.00

(Click here for a picture) Rank Insignia: No Rank Insignia

Attach hardware to your coat shoulders? Not Ordering a Coat at this time.

Regimental Disc? No Regimental Disc

Specify Regimental Number if ordering Regimental Discs: (Leave blank if ordering Staff Epaulets).

Epaulet Storage Box? Without Storage Box

Deluxe Storage Box

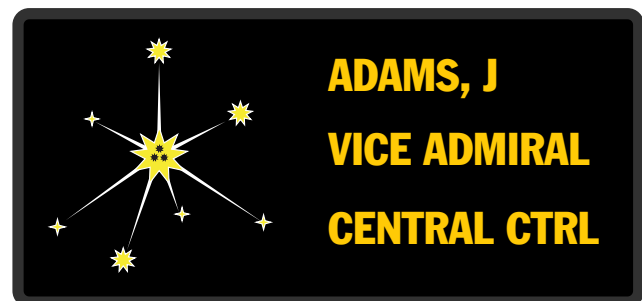
Click on above picture to see comparison of Original and our Reproduction Epaulets

Note: This item is perhaps, aside from the cost associated with assembling a uniform jacket and rank braid, the most expensive piece of cosplay associated with TRMN. That being said, a cheaper alternative has not been found that delivers the same quality and a look consistent with BuNine's design. If you have decided to take the leap to complete a full mess dress uniform as an officer in the RMACS, these epaulets will transform your costume into a uniform.

While we understand that the epaulets are already expensive, it is HIGHLY recommended that the optional storage box be purchased with the epaulets. It cannot be purchased separately at a later date. The option to make your own storage box is out there as well, but regardless, a storage box is absolutely necessary. The epaulet fringe is constructed from gold wire bullion, and once it gets bent, it will stay bent.

Measurement and Insignia Guide

COLD WEATHER FATIGUE FLIGHT PATCH EXAMPLES:



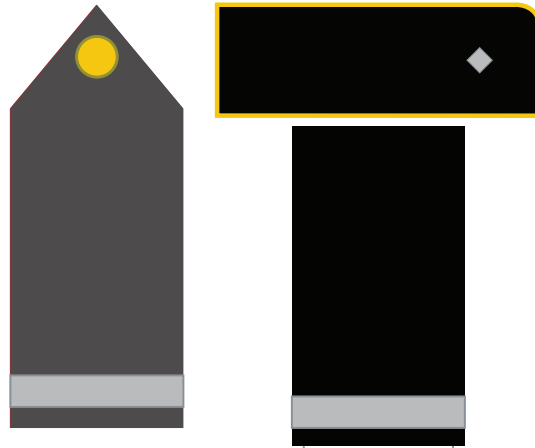
Note: Enlisted personnel display their rating insignia, once earned, as well as their abbreviated title. A list of approved abbreviations can be found in BuTrain-001, Student Manual, on pages 29 and 30.

RMACS, as well as any RMN and RMMC, personnel assigned to Junction Forts have an additional line added to their badge to facilitate displaying the Sector name.

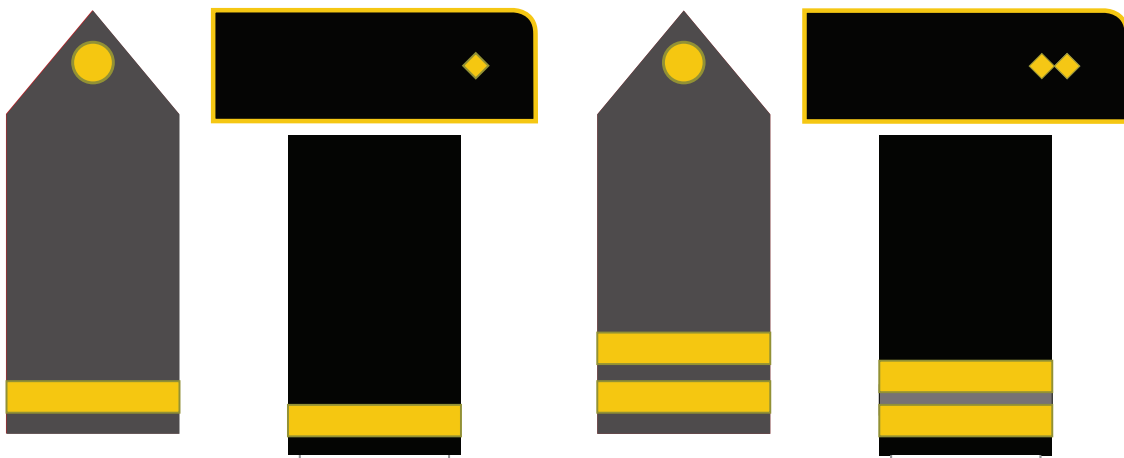
All others display the standard RMACS cold weather flight badge insignia.

Measurement and Insignia Guide

OFFICERS:



ENSIGN
C-12

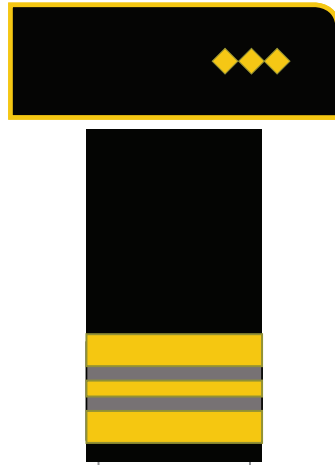


LIEUTENANT
JUNIOR GRADE
C-13

LIEUTENANT
SENIOR GRADE
C-14

Measurement and Insignia Guide

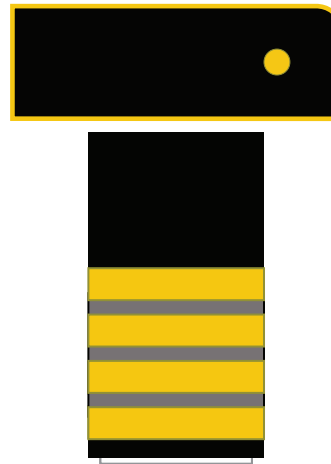
OFFICERS:



LIEUTENANT
COMMANDER
C-15



COMMANDER
C-16



CAPTAIN
C-17

Measurement and Insignia Guide

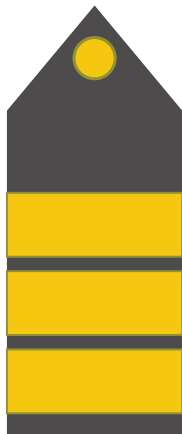
FLAG OFFICERS:



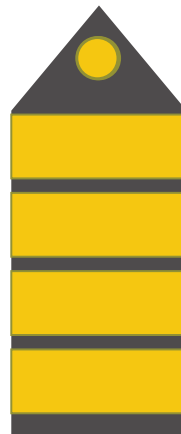
COMMODORE
C-18



REAR ADMIRAL
C-19



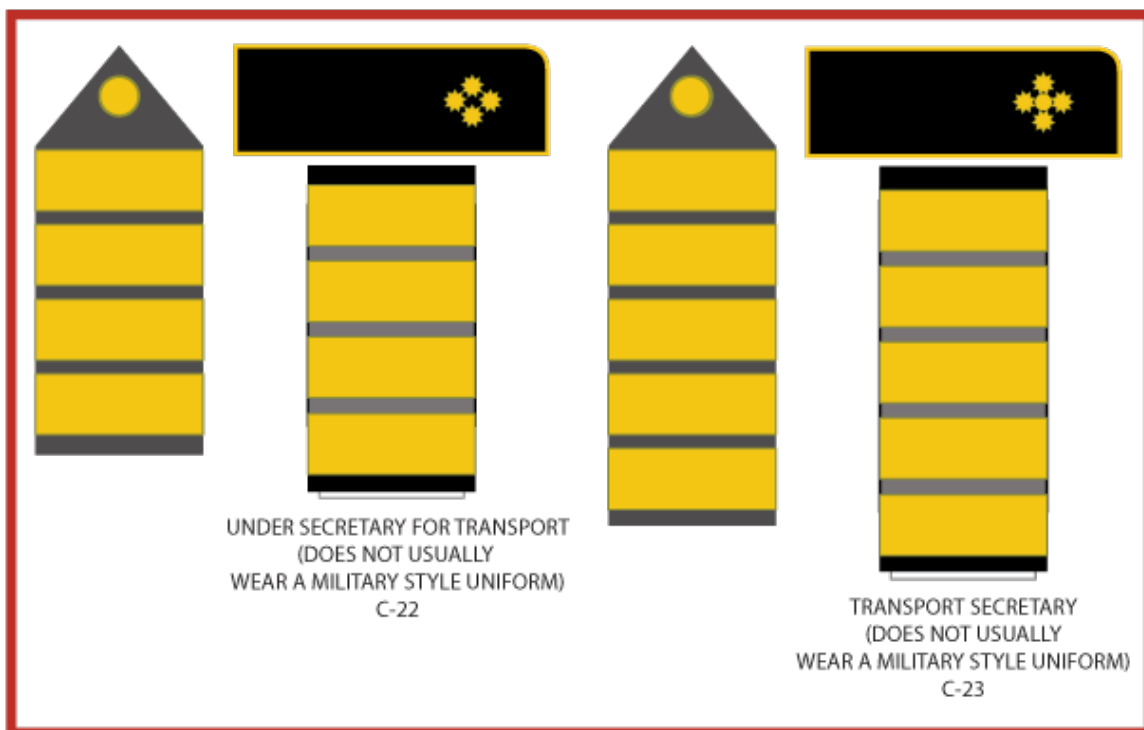
VICE ADMIRAL
C-20



ADMIRAL
C-21

Measurement and Insignia Guide

FLAG OFFICERS:



RESTRICTED RANKS BY APPOINTMENT ONLY

Measurement and Insignia Guide

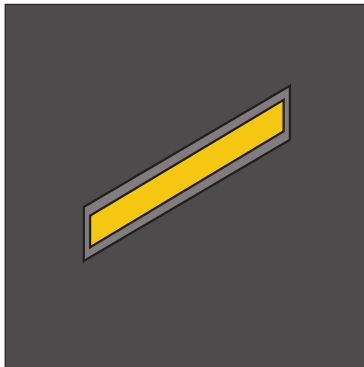
ENLISTED RANKS:



PETTY OFFICER THIRD CLASS
C-4



CHIEF PETTY OFFICER
C-7



TRAINEE
C-1



PETTY OFFICER SECOND CLASS
C-5



SENIOR CHIEF PETTY OFFICER
C-8



PETTY OFFICER FIRST CLASS
C-6



MASTER CHIEF PETTY OFFICER
C-9

Measurement and Insignia Guide

ENLISTED RATINGS:

While the Royal Manticoran Astro Control Service is prescribed a uniform and follows a military rank structure, appointment in the organization itself is a civil service one. Therefore, the RMACS is not considered one of the Star Kingdom's Armed Services. RMACS patrol vessels and tugs are unarmed as a rule, and on the rare occasion that a patrol vessel is armed, Royal Manticoran Navy or Royal Manticoran Marine Corps personnel fill the appropriate crew billets. However, RMACS personnel are authorized personal arms, as necessary, in the course of their duties.

A similar situation exists where Junction Forts are concerned. While the fort itself falls under the jurisdiction and command of the RMACS, all weapons systems are controlled by RMN and RMMC personnel.

Additionally, like the Royal Manticoran Marine Corps, the RMACS does not have its own medical personnel. Patrol vessels are assigned a RMN corpsman as necessary for longer patrols, and all Junction Fort, and RMACS station, medical facilities are staffed by RMN medical personnel.

Therefore, with the understanding that the RMACS is an unarmed civilian service, the following ratings are authorized for RMACS enlisted personnel:

Personnelman	Plotting Specialist	Power Technician
Steward	Tracking Specialist	Gravitics Technician
Yeoman	Operations Specialist	Environmental Technician
Storekeeper	Sensor Technician	Hydroponics Technician
Disbursing Clerk	Data Systems Technician	Electronics Technician
Ships Serviceman	Damage Control Technician	Boatswain
Coxswain	Communications Technician	
Helmsman	Impeller Technician	

Note: While these rating titles and badges are the same as those worn by the Royal Manticoran Navy, the RMACS does not utilize specialized colors to differentiate between them.

Special Notes

This section contains the names of merchants that will assist you in gathering the items necessary to construct your uniform. These suppliers have been vetted as satisfactory by the Uniform Board, and deliver a product consistent, both in look and quality, with our uniform regulations.

In most cases the cheapest possible supplier has been identified in an effort to make putting a uniform together as accessible to all as possible. If there are any questions, or any problems with the links, please contact a member of the Uniform Board or raise your concern on the Uniform Manuals section of the forum and we will be happy to assist you.

While the Bureau of Supply is always the preferred supplier, there are many items that they do not, or cannot stock. For any questions regarding items that are carried by the Bureau of Supply, please contact a Bureau of Supply member. For questions regarding items from a Uniform Board recommended vendor, please contact the RMACS Uniform Board liaisons.

As always , if there are any questions regarding this manual, or how to wear the uniforms shown within, please reach out to the Uniform Board and they will be happy to assist you.

This section should be utilized in conjunction with the required Items lists found on the Illustration pages.

To access the uniform information:

1. Log into the TRMN Forums
2. Navigate to the Bureau of Communications forum
3. Click on "Uniform Questions"
4. Click on "Uniform FAQs"
5. The topic should be pinned to the top of the board: Click to open.





**THE ROYAL
MANTICORAN NAVY**

**The Official Honor Harrington
Fan Association**